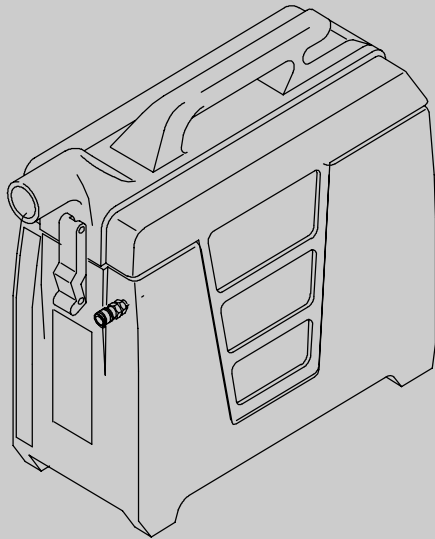




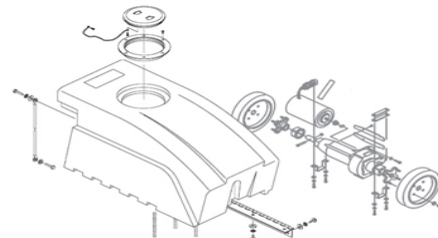
# 1000

**Carpet Spotter  
Extractor Portátil de Alfombras  
Extracteur de moquette  
小型商用地毯抽洗机**

**Operator and Parts Manual  
Manual De Operador  
Y Lista De Repuestos  
Opérateur Manuel et  
Liste Des Pièces  
使用手册及零件清单**



Model Part No.:  
607713 - 120V  
607714 - 120V (includes cart)  
607715 - 120V (includes cart/chemicals)  
609385 - 230V  
609614 - 120V Can.  
609616 - 120V Can. Pac (includes cart/chemicals)  
609688 - 230V/240V EMC  
613747 - 220V/60HZ



**FLOOR-EQUIPMENT-PARTS.COM**

**607716  
Rev. 06 (08-2008)**



# OPERATION


This manual is furnished with each new machine. It provides necessary operation and maintenance instructions and an illustrated parts list.

**Read this manual completely and understand the machine before operating or servicing it.**

When ordering replacement parts, use the Parts Lists in this manual. Before ordering parts or supplies, be sure to have your machine model number and serial number handy. Parts and supplies may be ordered by phone or mail from any Authorized Service Center or Distributor.


This machine will provide excellent service. However, the best results will be obtained at minimum costs if:

- The machine is operated with reasonable care.
- The machine is maintained regularly - per the maintenance instructions provided.
- The machine is maintained with manufacturer's supplied or equivalent parts.



**PROTECT THE ENVIRONMENT**

Please dispose of packaging materials, old machine components such as batteries, hazardous fluids such as antifreeze and oil, in a safe environmentally way according to your local waste disposal regulations.



Always remember to recycle.

## MACHINE DATA

Please fill out at time of installation for future reference.

Model No.- \_\_\_\_\_

Install. Date - \_\_\_\_\_

Serial No.- \_\_\_\_\_

## TABLE OF CONTENTS

<b>SAFETY PRECAUTIONS</b> .....	<b>3</b>
<b>WARNING LABEL</b> .....	<b>4</b>
<b>MACHINE SETUP</b> .....	<b>5</b>
<b>MACHINE OPERATION</b> .....	<b>6</b>
<b>DRAINING RECOVERY TANK</b> .....	<b>6</b>
<b>MACHINE MAINTENANCE</b> .....	<b>7</b>
<b>STORING MACHINE</b> .....	<b>7</b>
<b>RECOMMENDED STOCK ITEMS</b> .....	<b>7</b>
<b>TROUBLE SHOOTING</b> .....	<b>8</b>
<b>ELECTRICAL DIAGRAMS</b> .....	<b>31</b>
<b>MACHINE PARTS</b> .....	<b>33</b>
<b>STANDARD HAND TOOL</b> .....	<b>35</b>
<b>OPTIONS</b> .....	<b>36</b>

### Tennant Company

PO Box 1452

Minneapolis, MN 55440

Phone: (800) 553-8033 or (763) 513-2850

[www.tennant.com](http://www.tennant.com)

Specifications and parts are subject to change without notice.

Copyright © 2008 TENNANT Company. All rights reserved. Printed in USA

---


## SAFETY PRECAUTIONS

---

This machine is intended for commercial use. It is designed to clean carpet and upholstery in an indoor environment and is not constructed for any other use. Use only recommended accessory tools and commercially available carpet cleaners intended for machine application.

All operators must read, understand and practice the following safety precautions.

The following warning alert symbol and the "FOR SAFETY" heading are used throughout this manual as indicated in their description:

 **WARNING:** To warn of hazards or unsafe practices which could result in severe personal injury or death.

**FOR SAFETY:** To identify actions which must be followed for safe operation of equipment.

---

Failure to follow these warnings may result in: personal injury, electrocution, electrical shock, fire or explosion.

 **WARNING:** Do Not Use Flammable Liquids Or Operate Machine In Or Near Flammable Liquids, Vapors Or Combustible Dusts.

This machine is not equipped with an explosion proof motor. The electric motor will spark upon start up and during operation which could cause a flash fire or explosion if machine is used in an area where flammable vapors/liquids or combustible dusts are present.

 **WARNING:** Do Not Pick Up Flammable Materials Or Reactive Metals.

 **WARNING:** Do Not Operate With Damaged Power Cord. Do Not Modify Plug. Unplug power Cord Before Servicing Machine.

If the supply cord is damaged or broken, it must be replaced by the manufacturer or it's service agent or a similarly qualified person in order to avoid a hazard.

 **WARNING:** Do Not Use Outdoors. Do Not Expose To Rain. Store Indoors.

---

The following information signals potentially dangerous conditions to the operator or equipment:

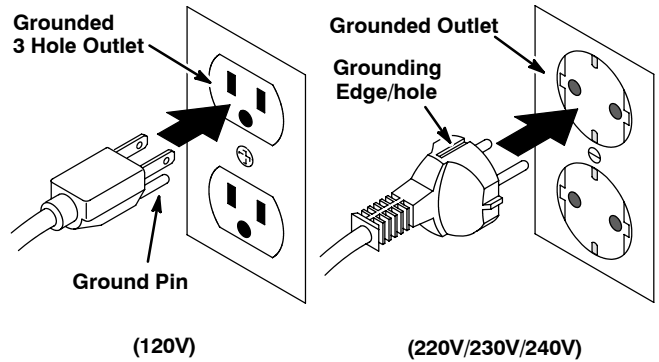
### FOR SAFETY:

1. Do not operate machine:
  - With flammable liquids or near flammable vapors as an explosion or flash fire may occur.
  - Unless trained and authorized.
  - Unless operator manual is read and understood.
  - Unless cord is properly grounded.
  - With damaged cord or plug.
  - If not in proper operating condition.
  - In outdoor areas.
  - In standing water.
  - With the use of an extension cord.
2. Before operating machine:
  - Make sure all safety devices are in place and operate properly.
3. When using machine:
  - Do not pull machine by plug or cord.
  - Do not pull cord around sharp edges or corners.
  - Do not unplug by pulling on cord.
  - Do not stretch cord.
  - Do not handle plug with wet hands.
  - Keep cord away from heated surfaces.
  - Report machine damage or faulty operation immediately.
  - Follow mixing and handling instructions on chemical containers
  - Never allow children to play on or around.
4. Before leaving or servicing machine:
  - Turn off machine.
  - Unplug cord from wall outlet.
5. When servicing machine:
  - Unplug cord from wall outlet.
  - Avoid moving parts. Do not wear loose jackets, shirts, or sleeves.
  - Use manufacturer supplied or approved replacement parts.
  - All repairs must be performed by a qualified service person.
  - Do not modify the machine from it's original design.

# OPERATION

## GROUNDING INSTRUCTIONS

Machine must be grounded. If it should malfunction or breakdown, grounding provides a path of least resistance for electrical current to reduce the risk of electrical shock. This machine is equipped with a cord having an equipment-grounding conductor and grounding plug. The plug must be plugged into an appropriate outlet that is properly installed in accordance with all local codes and ordinances. Do not remove ground pin; if missing, replace plug before use.



## WARNING LABEL

The warning label appears on the machine in the location indicated. Replace label if it becomes damaged or illegible.



WARNING LABEL - Located on front of machine.

⚠️ WARNING	⚠️ AVERTISSEMENT	⚠️ ADVERTENCIA
<p><b>EXPLOSION, FIRE AND SHOCK HAZARD. AVOID INJURY.</b></p> <ul style="list-style-type: none"><li>• Do Not Use or Pick Up Flammable Materials.</li><li>• Do Not Use Near Flammable Liquids, Vapors or Combustible Dusts.</li><li>• Do Not Operate With Damaged Power Cord. Do Not Modify Plug. Unplug Power Cord Before Servicing Machine.</li><li>• Do Not Use Outdoors. Do Not Expose to Rain. Store Indoors.</li></ul>	<p><b>RISQUE D'EXPLOSION, D'INCENDIE ET DE DECHARGE. EVITEZ LES BLESSURES.</b></p> <ul style="list-style-type: none"><li>• N'utilisez Pas ou Ne Ramassez Pas de Matériaux Inflammables.</li><li>• N'utilisez Pas Près de Liquides, Vapeurs ou Poussières Inflammables.</li><li>• N'utilisez Pas la Machine Avec un Cordon d'alimentation Endommagé. Ne Modifiez Pas la Prise. Débranchez le Cordon d'Alimentation Avant d'Entretenir la Machine.</li><li>• N'utilisez Pas en Extérieur. N'Exposez Pas à la Pluie. Entrezposez à l'Intérieur.</li></ul>	<p><b>PELIGRO DE EXPLOSIÓN, FUEGO, DESCARGA EVITE LESIONES.</b></p> <ul style="list-style-type: none"><li>• No Use Ó Recoja Materiales Flammables.</li><li>• No Use Cerca De Líquidos Flammables, Vapores Ó Materiales Combustibles.</li><li>• No Use Con Cable De Corriente Dañado. No Altere El Enchufe. Desconecte Cable De Corriente Antes Del Mantenimiento.</li><li>• No Use Al Aire Libre. No Exponga A La Lluvia. Guarde Bajo Techo.</li></ul>

## MACHINE SETUP

1. Unfasten two latches which hold recovery tank to solution tank. Lift recovery tank off solution tank (Figure 1).



FIG. 1

2. Pour up to 7.5 liters (2 gals) of hot water into solution tank. Water temperature must not exceed 60°C (140°F). If you are only cleaning a small spot, pour in less water. The label on solution tank shows water level (Figure 2).

**⚠ WARNING: Do Not Use Flammable Liquids Or Operate Machine In Or Near Flammable Liquids, Vapors Or Combustible Dusts.**

This machine is not equipped with an explosion proof motor. The electric motor will spark upon start up and during operation which could cause a flash fire or explosion if machine is used in an area where flammable vapors/liquids or combustible dusts are present.



FIG. 2

3. If desired, add liquid cleaning solution to clean water. See proper dilution as instructed on the cleaning solution bottle.

**FOR SAFETY: When using machine, follow mixing and handling instructions on chemical containers.**

**ATTENTION: Do not mix powdered chemicals in solution tank. Mix powdered chemicals thoroughly in a bucket before pouring into machine. Powders are unlikely to dissolve completely and can clog solution pump system.**

4. Replace the recovery tank onto the solution tank and fasten the two latches.
5. Plug power cord into a grounded power outlet (Figure 3).

**⚠ WARNING: Do Not Operate With Damaged Power Cord. Do Not Modify Plug. Unplug Power Cord Before Servicing Machine**

If the supply cord is damaged or broken, it must be replaced by the manufacturer or it's service agent or a similarly qualified person in order to avoid a hazard.

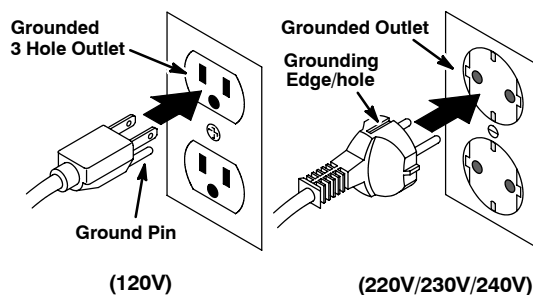


FIG. 3

**FOR SAFETY: Do not operate machine unless cord is properly grounded.**

**FOR SAFETY: Do not operate machine with the use of an extension cord.**

## OPERATION

---

6. Connect hand tool hoses to extractor. Be certain that coupler locks into extractor's couplers (Figure 4).



FIG. 4

7. Use *Spot Remover Kit* to remove as much of stain or spot as possible. (Kit sold separately #111002).

---

## MACHINE OPERATION

---

**FOR SAFETY: Do not operate machine unless operator manual is read and understood.**

1. Turn machine on, switch is located on back panel of machine.

**ATTENTION: If using a cleaning solution, always test upholstery for color fastness in a hidden place.**

2. Place hand tool on spot and squeeze trigger while pulling back on hand tool (Figure 5).



FIG. 5

**NOTE: Oversaturating upholstery can lead to prolonged drying time.**

**⚠ WARNING: Do Not Pick Up Flammable Materials Or Reactive Metals.**

3. Check recovery level periodically. When recovery tank reaches level as shown, shut machine off and drain tank (Figure 6).



FIG. 6

**ATTENTION: Do not continue to run machine after recovery tank reaches level as shown. This will damage the vacuum motor; not covered by warranty.**

---

## DRAINING RECOVERY TANK

---

1. Turn machine off and unplug power cord.

**FOR SAFETY: Before leaving or servicing machine, turn off machine and unplug cord from wall outlet.**

2. Disconnect vacuum hose from recovery tank. Unfasten latches and lift recovery tank off solution tank. Drain recovery tank completely and flush it several times with clean water to remove all dirt left in tank. This will prevent odor buildup (Figure 7).



FIG. 7

3. Tip solution tank upside down over a sink to drain any unused cleaning solution. If you used a chemical in solution tank, flush tank with clean water to remove excess suds. This will prevent chemical buildup.

## MACHINE MAINTENANCE

To keep machine in good working condition, simply follow machine's recommended maintenance procedures.

**⚠ WARNING: Unplug Power Cord Before Servicing Machine.**

**FOR SAFETY: All repairs must be performed by a qualified service person.**

### DAILY MAINTENANCE

1. Clean machine with a nonabrasive, nonsolvent cleaner.
2. Rinse out tanks thoroughly.
3. Remove and clean vacuum filter.
4. Inspect cord and cord grip for damage. Replace immediately if damaged. Coil cord neatly after each use.
5. Inspect vacuum hose for holes and loose cuffs.

### MONTHLY MAINTENANCE

Flush pump system with acetic acid solution to dissolve normal alkaline chemical buildup.

**FOR SAFETY: When using machine, follow mixing and handling instructions on chemical containers.**

- a. Mix .5L (16 oz) of acetic acid solution in solution tank with 7.5L (2 gal) of hot water, 60° C (140° F) maximum.
- b. Turn on machine.
- c. Connect hand tool and press trigger on tool until acetic acid solution begins to spray through tips. Spray solution into a bucket.
- d. Allow solution to remain in system for up to 6 hours in above freezing temperatures.
- e. Later, spray out solution into a bucket. Then run two gallons of clean water through system to flush out impurities.

### EVERY 250 HOURS OF OPERATION

Check vacuum motor for carbon brush wear. Replace brushes if worn to a length of 10mm (0.38 in) or less.

Contact an Authorized Service Center for motor maintenance.

### STORING MACHINE

1. Before storing machine, be certain to flush tanks and drain machine of all water.
2. Store machine in a dry area in the upright position.

**⚠ WARNING: Do Not Use Outdoors. Do Not Expose To Rain. Store Indoors.**

### STORING MACHINE IN FREEZING TEMPERATURES

Be sure that machine, pump and spraying system are completely drained and dry. Pour undiluted antifreeze into solution tank and cycle it through plumbing system.

### RECOMMENDED STOCK ITEMS

Refer to Parts List section for recommended stock items. Stock Items are clearly identified with a bullet preceding the parts description. See example below:

Ref.	Part No.	Description	Qty.
1	701103	ASM.,STANDPIPE	1
2	180613	●FLOAT, SHUTOFF	1
3	230187	NIPPLE	1
4	101714	●GASKET	1
5	210240	NUT, FLANGED	1

# OPERATION

## TROUBLE SHOOTING

PROBLEM	CAUSE	SOLUTION
Vacuum recovery is poor.	Vacuum hose cuff is not firmly pushed onto recovery tank's fitting.	Push vacuum hose cuff all the way onto recovery tank fitting.
	Vacuum filter is clogged.	Remove and clean filter.
	Recovery tank is not firmly clamped down onto solution tank. Air leaks around vacuum gasket.	Clamp both latches down to form a tight seal between tanks.
	Vacuum gasket is worn or damaged.	Replace gasket.
Little or no solution pressure.	Spray tip filter on hand tool is clogged.	Remove spray tip to get access to filter. Remove and clean filter.

## SPECIFICATIONS

MODEL	1000
LENGTH	533 mm (21 in)
WIDTH	197 mm (7.75 in)
HEIGHT	445 mm (17.5 in)
WEIGHT	8.2 Kg (18 lbs)
SOLUTION TANK CAPACITY	7.57 L (2 gal)
RECOVERY TANK CAPACITY	5.67 L (1.5 gal)
SOLUTION PUMP	120 VAC, 2.1 kPa (30 psi), 1.25A, 150W
	220 VAC, 2.1 kPa (30 psi), .75A, 165W
	230 VAC, 2.1 kPa (30 psi), .75A, 173W
	240 VAC, 2.1 kPa (30 psi), .75A, 180W
VACUUM MOTOR	120 VAC, 1.12 HP, 7A, 840W, 2 stage, 80 cfm
	220 VAC, 1.12 HP, 3.5A, 770W, 2 stage, 84.5 cfm
	230 VAC, 1.12 HP, 3.5A, 805W, 2 stage, 84.5 cfm
	240 VAC, 1.12 HP, 3.5A, 840W, 2 stage, 84.5 cfm
SEALED WATER LIFT	1800 mm (71 in) 120V
	1968 mm (77.5 in ) 220V/230V/240V
TOTAL POWER CONSUMPTION	120VAC, 8.25A, 990 W
	220 VAC, 4.1A, 902 W
	230 VAC, 4.1A, 943 W
	240 VAC, 4.1A, 984 W
POWER CORD	7.6 M (25 ft) 18/3-120V
	7.6 M (25 ft) 3X1.0MM 2X8M-220V/230V/240V
DECIBEL RATING AT OPERATOR'S EAR, INDOORS ON CARPET	<78 dB(A)
HAND TOOL INCLUDED	102 mm (4 in) path, 1Jet, .95 LPM (.25 GPM), 2.4M (8 ft) Vacuum and Solution Hoses.




Este manual se entrega con todas las unidades nuevos del modelo. Incluye las instrucciones necesarias para el uso y el mantenimiento de la unidad, además de la lista de piezas.

**Lea este manual por completo y comprenda el funcionamiento de la máquina antes de usarla o de darle servicio.**


Esta máquina le dará excelente servicio. Sin embargo, puede obtener los mejores resultados al coste mínimo si:

- Usa la máquina con un cuidado razonable.
- Le de mantenimiento a la máquina en forma regular, de acuerdo a las instrucciones de mantenimiento que incluimos.
- La máquina recibe mantenimiento con piezas de repuesto del fabricante o equivalentes.



**PROTECCIÓN DEL MEDIO AMBIENTE**

Deseche el material de embalaje, los componentes usados de la máquina como las baterías y los líquidos peligrosos como el anticongelante y el aceite, de forma segura para el medio ambiente, de acuerdo con las normativas o disposiciones locales.



No olvide reciclar.

## DATOS DE LA MÁQUINA

Sírvase llenar los datos en el momento de la preparación para referencia en el futuro.

Modelo No.: \_\_\_\_\_

Fecha de preparación: \_\_\_\_\_

Nº de serie: \_\_\_\_\_

## CONTENIDO

<b>MEDIDAS DE SEGURIDAD .....</b>	<b>10</b>
<b>ADHESIVOS DE SEGURIDAD .....</b>	<b>11</b>
<b>PREPARACIÓN DE LA MÁQUINA .....</b>	<b>12</b>
<b>FUNCIONAMIENTO DE LA MÁQUINA .....</b>	<b>13</b>
<b>PARA VACIAR EL TANQUE DE RECUPERACIÓN .....</b>	<b>13</b>
<b>MANTENIMIENTO DE MAQUINA .....</b>	<b>14</b>
<b>PARA ALMACENAR ESTE APARATO: .....</b>	<b>14</b>
<b>ARTICULOS RECOMENDADOS PARA MANTENER EN EXISTENCIA .....</b>	<b>14</b>
<b>LOCALIZACION DE FALLAS .....</b>	<b>15</b>
<b>ESPECIFICACIONES .....</b>	<b>15</b>
<b>DIAGRAMAS ELECTRICA .....</b>	<b>31</b>
<b>LISTA DE PIEZAS .....</b>	<b>33</b>
<b>OPCIONES .....</b>	<b>35</b>

**Tennant Company**

PO Box 1452

Minneapolis, MN 55440 EE.UU.

Teléfono: (800) 553-8033 o (763) 513-2850

www.tennantco.com

Las características técnicas y las piezas están sujetas a modificaciones sin previo aviso.

Copyright © 2008 TENNANT Company.

Todos los derechos reservados. Impreso en USA.

---


## MEDIDAS DE SEGURIDAD

---

Esta máquina está diseñada para el uso comercial. Se ha diseñado exclusivamente para limpiar alfombras y tapizados en un ambiente interior y no se fabrica para ningún otro uso. Use sólo herramientas de accesorios recomendados y limpiadores de alfombras comercialmente disponibles formulados para la aplicación de la máquina.

Todos los operadores deben leer, entender y practicar las precauciones siguientes de seguridad.


El siguiente símbolo de alerta de advertencia y el encabezamiento de "PARA SEGURIDAD" se usan en este manual como se indica en su descripción:

 **ADVERTENCIA:** Para advertir de riesgos o prácticas inseguras que podrían resultar en lesiones personales graves o la muerte.

**PARA SEGURIDAD:** Para identificar acciones que deben seguirse para el funcionamiento seguro del equipo.


---

El no seguir estas advertencias puede resultar en: lesiones personales, electrocución, choque eléctrico, fuego o explosión.


 **ADVERTENCIA:** No use líquidos inflamables ni opere la máquina en o cerca de líquidos y vapores inflamables o polvos combustibles.

Esta máquina no está equipada con motores a prueba de explosión. Los motores eléctricos emiten chispas al arrancar y durante el funcionamiento lo que podría causar un fuego explosivo o explosión si la máquina se usa en una área donde están presentes vapores/líquidos inflamables o polvos combustibles.

 **ADVERTENCIA:** No aspire materiales inflamables o metales reactivos.

 **ADVERTENCIA:** No opere con un cordón eléctrico dañado. No modifique el enchufe. Desenchufe el cordón eléctrico antes de reparar la máquina.

Si el cordón del suministro se daña o se rompe, debe ser reemplazado por el fabricante o su agente de servicio o una persona similarmente calificada para evitar un riesgo.

 **ADVERTENCIA:** No use al aire libre o en superficies húmedas. No exponga a la lluvia. Almacén bajo techo.

---

La información siguiente señala condiciones potencialmente peligrosas para el operador o el equipo:

### PARA SEGURIDAD:

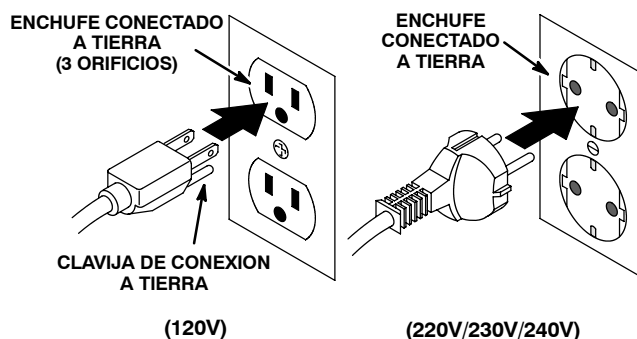
1. No opere la máquina:
  - Con líquidos inflamables o cerca de los vapores inflamables ya que puede ocurrir una explosión o fuego explosivo.
  - A menos que está capacitado y autorizado.
  - A menos que se haya leído y entendido el manual del funcionamiento.
  - A menos que el cordón se conecte apropiadamente a tierra.
  - Con un cordón o enchufe dañados.
  - Si no está en condición de ejecutar una operación apropiada.
  - En áreas al aire libre.
  - En agua estancada.
  - Sin bolsa del polvo en lugar.
2. Antes de arrancar la máquina:
  - Asegúrese que todos los dispositivos de seguridad están en su lugar y operando apropiadamente.
3. Al usar máquina:
  - No tire de la máquina por el enchufe o el cordón.
  - Evite pasar el cable por bordes agudos o esquinas.
  - No desenchufe tirando del cordón.
  - No estire el cordón.
  - No maneje el enchufe con las manos húmedas.
  - Mantenga el cordón lejos de las superficies calientes.
  - Informe inmediatamente acerca de daños o un funcionamiento defectuoso.
  - Siga las instrucciones de mezcla y manejo indicados en los recipientes químicos.
  - Nunca permita que los niños jueguen en o alrededor de la máquina.
4. Antes de salir de o reparar la máquina:
  - Apague la máquina.
  - Desenchufe cordón del tomacorriente de la pared.

## 5. Al prestar servicio a la máquina:

- Desenchufe cordón del tomacorriente de la pared.
- Evite las piezas móviles. No use chaquetas, camisas, o mangas, holgadas.
- Use piezas de repuesto provistas o aprobadas por el fabricante.
- Todas las reparaciones deben ser realizadas por una persona de servicio calificada.
- No modifique la máquina de su diseño original.

## INSTRUCCIONES DE CONEXION A TIERRA

La máquina debe conectarse a tierra. En caso de mal funcionamiento o desarrreglo, la conexión a tierra provee un recorrido de menor resistencia para la corriente eléctrica para reducir el riesgo de choque eléctrico. Esta máquina está equipada con un cordón con un conductor de conexión a tierra del equipo y enchufe de conexión a tierra. El enchufe debe enchufarse en un tomacorrientes apropiado correctamente instalado de acuerdo con todos los códigos y ordenanzas locales. No extraer la clavija de conexión a tierra; si falta, reemplazar el enchufe antes de usar.



## ADHESIVOS DE SEGURIDAD

Los adhesivos de seguridad se encuentran en la posición indicadas a continuación. Sustituya los adhesivos deteriorados o ilegales.



### ADHESIVO DE ADVERTENCIA – Localizado en el frente de la máquina.

⚠️ WARNING	⚠️ AVERTISSEMENT	⚠️ ADVERTENCIA
<p><b>EXPLOSION, FIRE AND SHOCK HAZARD. AVOID INJURY.</b></p> <ul style="list-style-type: none"> <li>• Do Not Use or Pick Up Flammable Materials.</li> <li>• Do Not Use Near Flammable Liquids, Vapors or Combustible Dusts.</li> <li>• Do Not Operate With Damaged Power Cord. Do Not Modify Plug, Unplug Power Cord Before Servicing Machine.</li> <li>• Do Not Use Outdoors. Do Not Expose to Rain. Store Indoors.</li> </ul>	<p><b>RISQUE D'EXPLOSION, D'INCENDIE ET DE DECHARGE. EVITEZ LES BLESSURES.</b></p> <ul style="list-style-type: none"> <li>• N'utilisez Pas ou Ne Ramassez Pas de Matériaux Inflammables.</li> <li>• N'utilisez Pas Près de Liquides, Vapeurs ou Poussières Inflammables.</li> <li>• N'utilisez Pas la Machine Avec un Cordon d'Alimentation Endommagé. Ne Modifiez Pas la Prise. Débranchez le Cordon d'Alimentation Avant d'Entretenir la Machine.</li> <li>• N'utilisez Pas en Extérieur. N'Exposez Pas à la Pluie. Entrezsez à l'Intérieur.</li> </ul>	<p><b>PELIGRO DE EXPLOSIÓN, FUEGO, DESCARGA EVITE LESIONES.</b></p> <ul style="list-style-type: none"> <li>• No Use Ó Recoja Materiales Flammables.</li> <li>• No Use Cerca De Líquidos Flammables, Vapores Ó Materiales Combustibles.</li> <li>• No Use Con Cable De Corriente Dañado. No Altere El Enchufe. Desconecte Cable De Corriente Antes Del Mantenimiento.</li> <li>• No Use Al Aire Libre. No Exponga A La Lluvia. Guarde Bajo Techo.</li> </ul>

1026383

## PREPARACIÓN DE LA MÁQUINA

1. Desenganche dos pestillos que sostienen el tanque de recuperación en el tanque de agua limpia. Levante el tanque de recuperación separándolo del tanque de agua limpia (Figura 1).



FIG. 1

2. Agregue 7.5 litros (2 galones) de agua caliente en el tanque de agua limpia. La temperatura del agua no debe exceder 60°C (140°F). Si sólo está limpiando una pequeña mancha, agregue menos agua. La calcomanía en el tanque de agua limpia muestra el nivel del agua (Figura 2).

**⚠ ADVERTENCIA:** No use líquidos inflamables ni opere la máquina en o cerca de líquidos y vapores inflamables o polvos combustibles.

Esta máquina no está equipada con motores a prueba de explosión. Los motores eléctricos emiten chispas al arrancar y durante el funcionamiento lo que podría causar un fuego explosivo o explosión si la máquina se usa en una área donde están presentes vapores/líquidos inflamables o polvos combustibles.

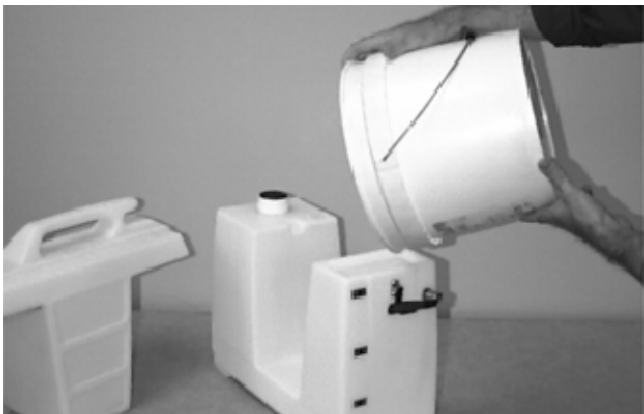


FIG. 2

3. Si lo desea, agregue un limpiador líquido al agua limpia. Agregue la cantidad apropiada según las instrucciones del envase.

**PARA PROTECCION:** Al usar la máquina, siga las instrucciones de mezcla y manejo en los recipientes de sustancias químicas.

**ATENCIÓN:** No mezcle productos químicos en polvo en el tanque de agua limpia del extractor. Es posible que los polvos no se disuelvan por completo y tapen el sistema de bombeo. Mezcle estos productos en polvo en algún recipiente antes de vaciar la solución en el tanque de agua limpia de la máquina.

4. Coloque una vez más el tanque de recuperación en el tanque de agua limpia y sujete los dos pestillos.
5. Conecte el cable de corriente a un tomacorriente con conexión a tierra (Figura 3).

**⚠ ADVERTENCIA:** No opere con un cordón eléctrico dañado. No modifique el enchufe. Desenchufe el cordón eléctrico antes de reparar la máquina.

Si el cordón del suministro se daña o se rompe, debe ser reemplazado por el fabricante o su agente de servicio o una persona similarmente calificada para evitar un riesgo.

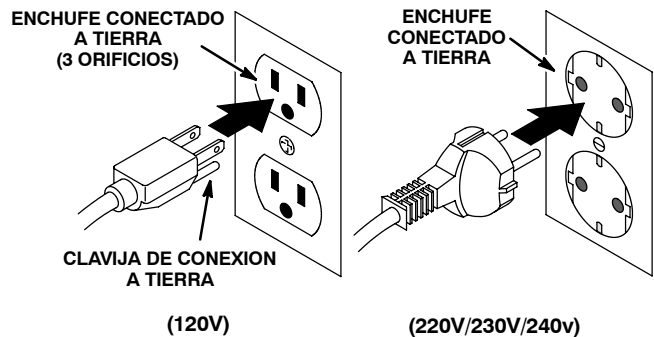


FIG. 3

**PARA SU SEGURIDAD:** No opere la máquina a menos que el cordón esté bien conectado a tierra.

**PARA SU SEGURIDAD:** No utilice la máquina con un cable eléctrico alargador.

6. Conecte las mangueras para accesorios de mano en el extractor. Asegúrese de que el acoplador de la manguera quede fijo en el acoplador del extractor (Figura 4).



FIG. 4

- Use el *Juego quitamanchas* para eliminar la mayor parte de las manchas. (El juego #111002 se vende por separado).

## FUNCIONAMIENTO DE LA MÁQUINA

**PARA PROTECCION:** No opere la máquina a menos que haya leído y entendido el manual del operador.

- Coloque el interruptor de encendido, que está en la parte posterior del extractor, en la posición de encendido (ON).

**ATENCIÓN:** Si usa un limpiador químico, siempre revise, en algún lugar no visible, si los colores de la tapicería son firmes.

- Coloque el accesorio de mano sobre la mancha y oprima el disparador al mismo tiempo que tira hacia atrás del accesorio de mano (Figura 5).

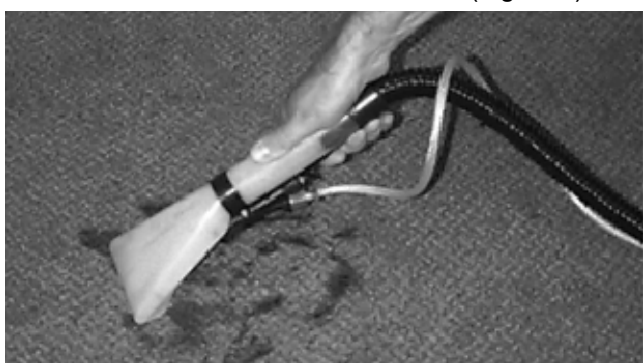


FIG. 5

**NOTA:** No sobresature la tapicería porque tomará demasiado tiempo en secarse.

**⚠ ADVERTENCIA:** No aspire materiales inflamables o metales reactivos.

- Revise periódicamente el nivel del tanque de recuperación. Cuando el tanque de la recuperación alcance el nivel de llenura según lo mostrado, apague la máquina y desagüe el tanque (Figura 6).



FIG. 6

**ATENCIÓN:** No continúe usando el extractor después de que el líquido llegue al nivel de lleno (FULL LINE), ya que se dañaría el motor; esta situación no está cubierta por la garantía.

## PARA VACIAR EL TANQUE DE RECUPERACIÓN

- Coloque el interruptor de encendido en la posición de apagado (OFF).

**PARA PROTECCION:** Apague la máquina y desenchufe el cordón del tomacorrientes de la pared, antes de dejar o prestar servicio a la máquina.

- Desconecte la manguera de aspiración del tanque de recuperación. Abra los pestillos y levante el tanque de recuperación separándolo del tanque de agua limpia. Vacíe por completo el tanque de recuperación y enjuáguelo varias veces con agua limpia para eliminar toda la suciedad que haya quedado en él. Así se evitan los malos olores (Figura 7).



FIG. 7

# OPERACIÓN

3. Voltee hacia abajo el tanque de agua limpia sobre un lavabo para vaciar la solución de limpieza que no haya usado. Si usó un producto químico en el tanque de agua limpia, enjuague el tanque con agua limpia para eliminar la espuma. Así se evita que se acumulen residuos químicos en el tanque.

## MANTENIMIENTO DE MAQUINA

Para mantener este aparato en buenas condiciones de trabajo, simplemente siga los procedimientos de mantenimiento.

**⚠ ADVERTENCIA:** Desconecte el cable eléctrico antes de revisar la máquina.

**PARA SU SEGURIDAD:** Todas las reparaciones deben ser realizadas por una persona de servicio calificada.

## MANTENIMIENTO DIARIO

1. Limpie la máquina con un limpiador no abrasivo, no solvente.
2. Enjuague completamente los tanques.
3. Quite y limpie el filtro de aspiración.
4. Inspeccione el cordón y la empuñadura del cordón por daños. Si está dañado reemplace inmediatamente. Enrolle el cable después de cada uso.
5. Revise si la manguera de aspiración tiene orificios o puños sueltos.

## MANTENIMIENTO MENSUAL

1. Enjuague el sistema de bombeo con una solución de ácido acético, para disolver la acumulación normal alcalina de los productos químicos.

**PARA PROTECCION:** Al usar la máquina, siga las instrucciones de mezcla y manejo en los recipientes de sustancias químicas.

- a. Mezcle 0.5 L (16 oz) de una solución de ácido acético en el tanque de agua limpia con 7.5 litros (2 galones) de agua caliente (60°C, 140°F, como máximo).
- b. Coloque el interruptor en la posición de encendido.
- c. Conecte el accesorio de mano y oprima el disparador hasta que la solución de ácido acético comience a salir por la punta rociadora. Rocíe la solución dentro de algún recipiente.

- d. Deje que la solución permanezca en el sistema hasta 6 horas a una temperatura superior a la temperatura de congelación.
- e. Más tarde, rocíe la solución en el recipiente. Luego deje correr 7.5 litros (2 galones) de agua limpia a través del sistema para eliminar todas las impurezas.

## CADA 250 HORAS DE USO

Inspeccione el motor de aspiración por desgaste de las escobillas de carbón. Reemplace las escobillas si se han gastado a un largo de 10mm (0.38 pul.) o menos.

Las reparaciones del motor deberán ser realizadas por personal autorizado.

## PARA ALMACENAR ESTE APARATO:

1. Antes de almacenar la máquina, asegúrese de vaciar y enjuagar el tanque de recuperación.
2. No permita que la máquina llegue a congelarse.

**⚠ ADVERTENCIA:** No use al aire libre o en superficies húmedas. No exponga a la lluvia. Almacén bajo techo.

## ALMACENAMIENTO DE LA MÁQUINA A TEMPERATURAS MENORES A LA DE CONGELACIÓN:

Asegúrese de que el aparato, la bomba y el sistema de rocío estén completamente vacíos y secos. Vacíe anticongelante sin diluir en el tanque de agua limpia y déjelo circular a través del sistema.

## ARTICULOS RECOMENDADOS PARA MANTENER EN EXISTENCIA

Refiérase a la sección de Lista de Piezas para los artículos recomendados en existencia. Los artículos en existencia están claramente identificados con una bola precediendo a la descripción de las piezas. Vea el ejemplo de abajo:

Ref.	Part No.	Description	Qty.
1	701103	ASSEMBLY, STANDPIPE	1
2	180613	● FLOAT, SHUTOFF	1
3	230187	NIPPLE	1
4	101714	● GASKET	1
5	210240	NUT, FLANGED	1

**LOCALIZACION DE FALLAS**

<b>PROBLEMA</b>	<b>CAUSA</b>	<b>SOLUCIÓN</b>
<b>Hay poca aspiración.</b>	El puño de la manguera de aspiración no está introducido con firmeza dentro del adaptador del tanque de recuperación.	Empuje el puo de la manguera de aspiración totalmente dentro del adaptador del tanque de recuperación.
	El filtro de aspiración está tapado.	Saque y limpie el filtro.
	El tanque de recuperación no está sujeto con firmeza en el tanque de la solución. Hay fugas de aire alrededor del empaque.	Sujete ambos pestillos hacia abajo para formar un sello firme entre los dos tanques.
	El empaque está desgastado o dañado.	Cambie el empaque.
<b>La línea del agua limpia o de la solución tiene baja presión o no tiene presión.</b>	El filtro de la punta rociadora está tapado.	Desmonte la punta rociadora para tener acceso al filtro. Saque y limpie el filtro.

**ESPECIFICACIONES**

<b>MODELO</b>	<b>1000</b>
LARGO	533 mm (21 in)
ANCHO	197 mm (7.75 in)
ALTO	445 mm (17.5 in)
PESO	8.2 Kg (18 lbs)
CAPACIDAD DEL TANQUE DE SOLUCION	7.57 L (2 gal)
CAPACIDAD DEL TANQUE DE RECUPERACION	5.67 L (1.5 gal)
BOMBA DE SOLUCION	120VAC, 207 kPa (30 psi), 1.25A, 150W 220 VAC, 2.1 kPa (30 psi), .75A, 165W 230 VAC, 2.1 kPa (30 psi), .75A, 173W 240 VAC, 2.1 kPa (30 psi), .75A, 180W
MOTOR DE ASPIRACION	120VAC, 1.12 HP, 7A, 840W, 2 stage, 80 cfm 220/230/240 VAC, 1.12 HP, 3.5A, 805W, 2 stage, 84.5 cfm
ELEVADOR SELLADO DE AGUA	1803 mm (71 in) 120V 1968 mm (77.5 in) 220V/230V/240V
CONSUMO TOTAL DE ENERGIA	120VAC, 8.25A, 990 W 220 VAC, 4.1A, 902 W 230 VAC, 4.1A, 943 W 240 VAC, 4.1A, 984 W
CORDON ELECTRICO	7.6 M (25 ft) 18/3-120V 7.6 M (25 ft) 3X1.0MM 2X8M-220V/230V/240V
CANTIDAD DE DECIBELES EN EL OIDO DEL OPERADOR, INTERIOR SOBRE LA ALFOMBRA	<78 dB(A)
HERRAMIENTA DE LA MANO INCLUIDO	102 mm (4 in) path, 1 jet, .95 LPM (.25 GPM), 2.4M (8 ft) Mangueras del vacío y de la solución.

# FONCTIONNEMENT

Ce manuel est fourni avec chaque nouveau modèle. Il fournit les instructions nécessaires au fonctionnement et à l'entretien.

## Lisez attentivement le manuel opérateur avant d'utiliser ou d'entretenir la machine.

Une liste complète de pièces détachées avec illustrations accompagne également chaque nouveau modèle. Utilisez la liste de pièces détachées pour commander des pièces de rechange. Avant de commander des pièces ou des fournitures, assurez-vous d'avoir avec vous le numéro de modèle de la machine et le numéro de série. Les pièces et les fournitures se commandent par téléphone ou par courrier auprès de tout centre de dépannage agréé, de tout distributeur ou de l'une des filiales du fabricant.

Cette machine vous fournira d'excellents services. Toutefois, vous obtiendrez les meilleurs résultats pour un prix de revient minimum si :

- La machine est manipulée avec un certain soin.
- La machine fait l'objet d'un entretien régulier conformément aux instructions d'entretien de ce manuel.
- L'entretien de la machine est effectué avec des pièces fournies par le fabricant ou des pièces équivalentes.

### PROTECTION DE L'ENVIRONNEMENT



Veuillez éliminer les matériaux d'emballage, les composants d'anciennes machines comme les batteries, les fluides dangereux tels que l'antigel ou l'huile, d'une manière sûre au point de vue environnemental, suivant la réglementation locale en vigueur en matière d'élimination des déchets.



N'oubliez pas de toujours recycler.

## Tennant Company

PO Box 1452

Minneapolis, MN 55440 USA

Phone: (800) 553-8033 or (763) 513-2850

[www.tennantco.com](http://www.tennantco.com)

Les spécifications et pièces sont susceptibles de modification sans préavis.

Copyright © 2008 TENNANT Company. Tous droits réservés.  
Imprimé en USA.

## DONNÉES DE LA MACHINE

À remplir au moment de l'installation à titre de référence.

N° modèle - \_\_\_\_\_

Date d'installation - \_\_\_\_\_

N° de série - \_\_\_\_\_

## TABLE DES MATIÈRES

MESURES DE SÉCURITÉ .....	17
ÉTIQUETTE DE MISE EN GARDE .....	18
MISE EN SERVICE DE LA MACHINE .....	19
FONCTIONNEMENT DE L'APPAREIL .....	20
VIDANGE DU RÉSERVOIR DE RÉCUPÉRATION .....	20
ENTRETIEN DE LA MACHINE .....	21
ENTREPOSAGE DE LA MACHINE .....	22
ARTICLES DE STOCK RECOMMANDÉS .....	22
DÉPISTAGE DES PANNES .....	23
DONNÉES TECHNIQUES .....	23
SYSTÈM ÉLECTRIQUE .....	31
LISTE DES PIÈCES .....	33
ÉQUIPEMENT AU CHOIX .....	35



## MESURES DE SÉCURITÉ

Cette machine est conçue pour un usage commercial. Elle est destinée au nettoyage des moquettes et tissus d'ameublement dans un environnement intérieur et ne convient pas à un quelconque autre usage. Utilisez uniquement des accessoires et des produits nettoyants pour moquettes disponibles dans le commerce, prévus pour l'utilisation de la machine.

Tous les opérateurs sont tenus de lire et comprendre les consignes de sécurité suivantes et de se familiariser avec celles-ci.

Le symbole de mise en garde suivant et l'en-tête « POUR VOTRE SECURITE » sont utilisés tout au long de ce manuel comme indiqué dans leur description :

**⚠ MISE EN GARDE** : identifie la présence de dangers ou les opérations dangereuses susceptibles de blesser grièvement ou de provoquer la mort.

**POUR VOTRE SECURITÉ** : identifie les instructions qui doivent être suivies afin de garantir la sécurité lors de l'utilisation de l'équipement.

Le fait d'ignorer ces avertissements peut entraîner : des blessures personnelles, une électrocution, un choc électrique, un incendie ou une explosion.

**⚠ MISE EN GARDE** : N'utilisez pas de liquides inflammables ou n'utilisez pas la machine dans ou près de liquides ou vapeurs inflammables ou poussières combustibles.

Cette machine n'est pas équipée d'un moteur protégé contre les explosions. Le moteur électrique émet des étincelles au moment du démarrage et pendant son fonctionnement, ce qui peut entraîner un incendie instantané ou une explosion si la machine est utilisée dans une zone où des vapeurs/liquides inflammables ou des poussières combustibles, sont présents.

**⚠ MISE EN GARDE** : Ne ramassez pas de matériaux inflammables ou de métaux réactifs.

**⚠ MISE EN GARDE** : N'utilisez pas la machine avec un cordon d'alimentation endommagé. Ne modifiez pas la prise. Débranchez le cordon d'alimentation avant d'entretenir la machine.

Si le cordon d'alimentation est endommagé ou rompu, il doit être remplacé par le fabricant ou son agent de maintenance ou toute autre personne qualifiée, afin d'éviter tout danger.

**⚠ MISE EN GARDE** : N'utilisez pas en extérieur. N'exposez pas à la pluie. Entrez à l'intérieur.

Les signaux d'information ci-après indiquent les situations potentiellement dangereuses pour l'opérateur ou l'équipement :

**POUR VOTRE SECURITÉ** :

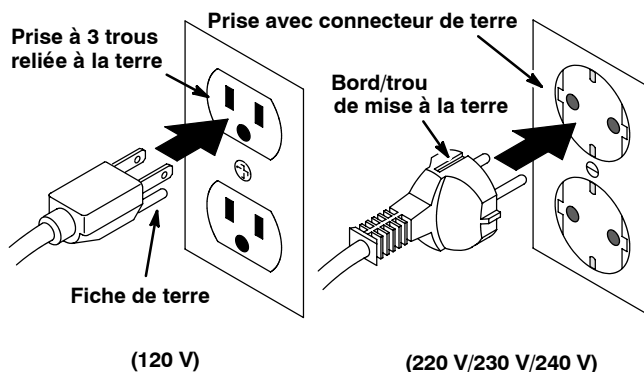
1. N'utilisez pas la machine :
  - avec des liquides inflammables ou près de vapeurs inflammables, afin d'éviter le risque d'explosion ou d'incendie instantané.
  - Si vous n'y êtes pas formé et autorisé.
  - Avant d'avoir lu et compris le manuel opérateur.
  - Si le cordon n'est pas correctement relié à la terre.
  - Avec des cordons ou prises endommagés.
  - Si elle n'est pas en bon état de marche.
  - À l'extérieur.
  - Dans l'eau stagnante.
  - Avec une rallonge.
2. Avant d'utiliser la machine :
  - Assurez-vous que tous les dispositifs de sécurité se trouvent à leur place et fonctionnent correctement.
3. Lors de l'utilisation de la machine :
  - Ne tirez pas la machine par la prise ou le cordon.
  - Ne tirez pas le cordon près des bords ou des coins vifs.
  - Ne débranchez pas l'appareil en tirant sur le cordon.
  - N'étirez pas le cordon.
  - Ne manipulez pas la prise avec des mains mouillées.
  - Eloignez le cordon des surfaces chaudes.
  - Signalez immédiatement tout dommage occasionné à la machine ou tout mauvais fonctionnement.
  - Suivez les instructions de mélange et de manipulation indiquées sur les conteneurs chimiques.
  - Empêchez les enfants de jouer à proximité de la machine.

# FONCTIONNEMENT

4. Avant de quitter ou d'entretenir la machine :
  - Coupez le contact de la machine.
  - Débranchez le cordon de la prise murale.
5. Lors de l'entretien de la machine :
  - Débranchez le cordon de la prise murale.
  - Évitez les pièces mobiles. Ne portez pas de veste ou de chemise large ou de manches amples.
  - Utilisez des pièces de rechanges fournies ou agréées par le fabricant.
  - Toutes les réparations doivent être effectuées uniquement par un technicien qualifié.
  - Ne modifiez pas le design d'origine de la machine.

## INSTRUCTIONS DE MISE À LA TERRE

La machine doit être mise à la terre. En cas de dysfonctionnement ou de panne, la mise à la terre offre une voie de moindre résistance au courant électrique, afin de réduire le risque de décharge électrique. Cette machine est équipée d'un cordon muni d'un conducteur de terre principale et d'une fiche avec mise à la terre. La fiche doit être branchée sur une prise appropriée montée correctement, conformément aux réglementations et codes en vigueur au niveau local. Ne supprimez pas la fiche de mise à la terre ; si celle-ci manque, remplacez la prise avant d'utiliser la machine.



## ÉTIQUETTE DE MISE EN GARDE

L'étiquette de mise en garde se trouve sur la machine à l'endroit indiqué. Remplacez l'étiquette lorsqu'elle est endommagée ou qu'elle devient illisible.



### ÉTIQUETTE MISE EN GARDE – Située à l'avant de la machine.

⚠️ WARNING	⚠️ AVERTISSEMENT	⚠️ ADVERTENCIA
 EXPLOSION, FIRE AND SHOCK HAZARD. AVOID INJURY. • Do Not Use or Pick Up Flammable Materials. • Do Not Use Near Flammable Liquids, Vapors or Combustible Dusts. • Do Not Operate With Damaged Power Cord. Do Not Modify Plug. Unplug Power Cord Before Servicing Machine. • Do Not Use Outdoors. Do Not Expose to Rain. Store Indoors.	 RISQUE D'EXPLOSION, D'INCENDIE ET DE DÉCHARGE. ÉVITEZ LES BLESSURES. • N'utilisez Pas ou Ne Ramassez Pas de Matériaux Inflammables. • N'utilisez Pas Près de Liquides, Vapeurs ou Poussières Inflammables. • N'utilisez Pas la Machine Avec un Cordon d'Alimentation Endommagé. Ne Modifiez Pas la Prise. Débranchez le Cordon d'Alimentation Avant d'Entretenir la Machine. • N'utilisez Pas en Extérieur. N'Exposez Pas à la Pluie. Entrezposez à l'Intérieur.	 PELIGRO DE EXPLOSIÓN, FUEGO, DESCARGA EVITE LESIONES. • No Use Ó Recoja Materiales Flammables. • No Use Cerca De Líquidos Flammables, Vapores Ó Materiales Combustibles. • No Use Con Cable De Corriente Dañado. No Altere El Enchufe. Desconecte Cable De Corriente Antes Del Mantenimiento. • No Use Al Aire Libre. No Exponga A La Lluvia. Guarde Bajo Techo.

## MISE EN SERVICE DE LA MACHINE

1. Détachez les deux loquets qui maintiennent le réservoir de récupération contre le réservoir de solution. Retirez le réservoir de récupération du réservoir de solution en le soulevant (Figure 1).



FIG. 1

2. Versez 7,5 l maximum d'eau chaude dans le réservoir de solution. La température de l'eau ne doit pas dépasser 60°C). Si vous nettoyez uniquement une petite zone, versez moins d'eau. L'étiquette sur le réservoir de solution indique le niveau d'eau (Figure 2).

**⚠ MISE EN GARDE : N'utilisez pas de liquides inflammables ou n'utilisez pas la machine dans ou près de liquides ou vapeurs inflammables ou poussières combustibles.**

Cette machine n'est pas équipée d'un moteur protégé contre les explosions. Le moteur électrique émet des étincelles au moment du démarrage et pendant son fonctionnement, ce qui peut entraîner un incendie instantané ou une explosion si la machine est utilisée dans une zone où des vapeurs/liquides inflammables ou des poussières combustibles, sont présents.



FIG. 2

3. Si vous le souhaitez, ajoutez de la solution de nettoyage liquide à l'eau claire. Lisez les instructions sur la bouteille de solution de nettoyage, pour la dilution appropriée.

**POUR VOTRE SECURITÉ : lorsque vous utilisez la machine, suivez les instructions de mélange et de manipulation indiquées sur les conteneurs chimiques.**

**ATTENTION : Ne mélangez pas de produits chimiques en poudre dans le réservoir de solution. Mélangez soigneusement les produits chimiques en poudre dans un seau avant de les verser dans la machine. Il est peu probable que les poudres se dissolvent totalement et elles peuvent obstruer le système de pompe à solution.**

4. Remplacez le réservoir de récupération sur le réservoir de solution et fixez les deux loquets.
5. Branchez le cordon d'alimentation sur une prise murale reliée à la terre (Figure 3).

**⚠ MISE EN GARDE : N'utilisez pas la machine avec un cordon d'alimentation endommagé. Ne modifiez pas la prise. Débranchez le cordon d'alimentation avant d'entretenir la machine**

**Si le cordon d'alimentation est endommagé ou rompu, il doit être remplacé par le fabricant ou son agent de maintenance ou toute autre personne qualifiée, afin d'éviter tout danger.**

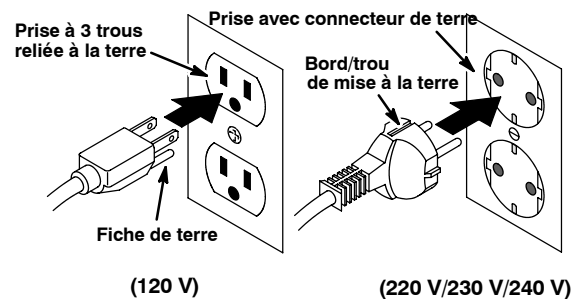


FIG. 3

**POUR VOTRE SECURITÉ : N'utilisez la machine que si le cordon est correctement relié à la terre.**

**POUR VOTRE SECURITÉ : N'utilisez pas la machine avec une rallonge.**

## FONCTIONNEMENT

---

6. Raccordez au nettoyeur les tuyaux de l'outil à main. Veillez à ce que le raccord se bloque dans le raccord du nettoyeur (Figure 4).



FIG. 4

7. Utilisez le *kit de détachant* pour supprimer le plus de taches et de souillures possible. (Kit vendu séparément #111002).

---

## FONCTIONNEMENT DE L'APPAREIL

---

**POUR VOTRE SECURITÉ : n'utilisez pas la machine avant d'avoir lu et compris le manuel opérateur.**

1. Mettez la machine sous tension ; l'interrupteur est situé sur le panneau arrière de la machine.

**ATTENTION : Si vous utilisez une solution de nettoyage, testez toujours la solidité des couleurs des tissus d'ameublement dans un endroit masqué.**

2. Placez un outil à main sur l'endroit et appuyez sur le déclencheur tout en tirant sur l'outil à main (Figure 5).



FIG. 5

**REMARQUE :** La saturation en eau du tissu d'ameublement peut entraîner un délai de séchage prolongé.

**⚠ MISE EN GARDE : Ne ramassez pas de matériaux inflammables ou de métaux réactifs.**

3. Vérifiez quotidiennement le niveau du réservoir de récupération. Lorsque le réservoir de récupération atteint le niveau indiqué, coupez la machine et videz le réservoir (Figure 6).



FIG. 6

**ATTENTION : Ne continuez pas à utiliser la machine une fois que le réservoir de récupération a atteint le niveau indiqué. Ceci endommage le moteur de l'extracteur, ce qui n'est pas couvert par la garantie.**

---

## VIDANGE DU RÉSERVOIR DE RÉCUPÉRATION

---

1. Coupez l'alimentation de la machine et débranchez le cordon d'alimentation.

**POUR VOTRE SECURITÉ : Avant de quitter ou d'entretenir la machine, coupez la machine et débranchez le cordon de la prise murale.**

2. Débranchez le tuyau d'aspiration du réservoir de récupération. Détachez les loquets et soulevez le réservoir de récupération hors du réservoir de solution. Videz complètement le réservoir de récupération et rincez-le plusieurs fois à l'eau claire, pour éliminer toute la saleté restant dans le réservoir. Ceci permet d'éviter l'accumulation des odeurs (Figure 7).



FIG. 7

3. Renversez le réservoir de solution au-dessus d'un évier pour vider toute la solution de nettoyage non utilisée. Si vous avez utilisé un produit chimique dans le réservoir de solution, rincez le réservoir à l'eau claire pour éliminer l'excès de mousse de produit. Ceci permet d'éviter l'accumulation de produits chimiques.

## ENTRETIEN DE LA MACHINE

Pour garder la machine en bon état de marche, il vous suffit de suivre les procédures d'entretien recommandées pour la machine.

**⚠ MISE EN GARDE : Débranchez le cordon d'alimentation avant d'entretenir la machine.**

**POUR VOTRE SECURITÉ : Toutes les réparations doivent être effectuées uniquement par un technicien qualifié.**

## ENTRETIEN QUOTIDIEN

1. Nettoyez la machine avec un produit non abrasif et non solvant.
2. Rincez abondamment les réservoirs.
3. Enlevez le filtre de l'extracteur et nettoyez-le.
4. Vérifiez l'endommagement du cordon et de la poignée du cordon. Remplacez-les immédiatement en cas de dommage. Enroulez soigneusement le cordon après chaque utilisation.
5. Vérifiez si le tuyau d'aspiration n'est pas endommagé ou détaché.

## ENTRETIEN MENSUEL

Rincez le système de pompage avec une solution d'acide acétique pour dissoudre la formation normale de produits chimiques alcalins.

**POUR VOTRE SECURITÉ : lorsque vous utilisez la machine, suivez les instructions de mélange et de manipulation indiquées sur les conteneurs chimiques.**

- a. Dans le réservoir de solution, mélangez 5 l (16 oz) de solution d'acide acétique avec 7,5 l (2 gal) d'eau chaude, à une température maximale de 60° C (140° F).
- b. Allumez la machine.
- c. Branchez l'outil à main et appuyez sur le déclencheur sur l'outil, jusqu'à ce que la solution d'acide acétique commence à être pulvérisée par l'embout. Pulvérisez la solution dans un seau.
- d. Laissez la solution dans le système pendant 6 heures maximum à une température au-dessus de 0 degré.
- e. Ensuite, pulvérisez la solution dans un seau. Faites alors couler environ 7 litres d'eau claire au travers du système pour rincer les impuretés.

# FONCTIONNEMENT

---

---

## TOUTES LES 250 HEURES DE SERVICE

Vérifiez le degré d'usure des balais en charbon du moteur de l'extracteur. Remplacez les brosses si la longueur des poils est de 10 mm ou moins.

Contactez un service de réparation agréé pour l'entretien des moteurs.

---

## ENTREPOSAGE DE LA MACHINE

---

1. Avant d'entreposer la machine, veillez à rincer les réservoirs et à faire la vidange de toute l'eau de la machine.
2. Entreposez la machine verticalement à l'abri de l'humidité.

 **MISE EN GARDE : N'utilisez pas en extérieur. N'exposez pas à la pluie. Entreposez à l'intérieur.**

---

## ENTREPOSAGE DE LA MACHINE À DES TEMPÉRATURES INFÉRIEURES À ZÉRO DEGRÉ

Assurez-vous que la machine, la pompe et le système de pulvérisation sont complètement vidés et secs.

Versez de l'antigel non dilué dans le réservoir de solution et faites-le circuler au travers du système de tuyauterie.

---

## ARTICLES DE STOCK RECOMMANDÉS

---

Reportez-vous à la section Liste des pièces de ce manuel, pour les articles de stock recommandés. Les articles de stock sont clairement identifiés à l'aide d'un point précédant la description de la pièce. Voir l'exemple ci-dessous :

Ref.	Part No.	Description	Qty.
1	701103	ASM.,STANDPIPE	1
2	180613	●FLOAT, SHUTOFF	1
3	230187	NIPPLE	1
4	101714	●GASKET	1
5	210240	NUT, FLANGED	1

## DÉPISTAGE DES PANNES

PROBLÈME	CAUSE	REMÈDE
Faible récupération après aspiration.	Le manchon du tuyau d'aspiration n'est pas fermement enfoncé dans le raccord du réservoir de récupération.	Enfoncez complètement le manchon du tuyau d'aspiration sur le raccord du réservoir de récupération.
	Le filtre de l'extracteur est obstrué.	Retirez le filtre et nettoyez-le.
	Le réservoir de récupération n'est pas fermement fixé sur le réservoir de solution. Fuites d'air autour du joint d'étanchéité de l'extracteur.	Fixez les deux loquets pour former un joint étanche entre les réservoirs.
	Le joint d'extracteur est usé ou endommagé.	Remplacez le joint.
Pression de solution faible ou nulle.	Le filtre du gicleur de l'outil à main est obstrué.	Retirez le gicleur pour accéder au filtre. Retirez le filtre et nettoyez-le.

## DONNÉES TECHNIQUES

MODÈLE	1000
LONGUEUR	533 mm (21 in)
LARGEUR	197 mm (7.75 in)
HAUTEUR	445 mm (17.5 in)
POIDS	8.2 Kg (18 lbs)
CAPACITÉ DU RÉSERVOIR DE SOLUTION	7.57 L (2 gal)
CAPACITÉ DU RÉSERVOIR DE RÉCUPÉRATION	5.67 L (1.5 gal)
POMPE À SOLUTION	120 VAC, 2.1 kPa (30 psi), 1.25A, 150W
	220 VAC, 2.1 kPa (30 psi), .75A, 165W
	230 VAC, 2.1 kPa (30 psi), .75A, 173W
	240 VAC, 2.1 kPa (30 psi), .75A, 180W
MOTEUR D'EXTRACTION	120 VAC, 1.12 HP, 7A, 840W, 2 étages, 80 cfm
	220 VAC, 1.12 HP, 3.5A, 770W, 2 étages, 84.5 cfm
	230 VAC, 1.12 HP, 3.5A, 805W, 2 étages, 84.5 cfm
	240 VAC, 1.12 HP, 3.5A, 840W, 2 étages, 84.5 cfm
HAUTEUR D'ASPIRATION SCELLÉE	1800 mm (71 in) 120V
	1968 mm (77.5 in ) 220V/230V/240V
CONSOMMATION ÉLECTRIQUE TOTALE	120VAC, 8.25A, 990 W
	220 VAC, 4.1A, 902 W
	230 VAC, 4.1A, 943 W
	240 VAC, 4.1A, 984 W
CORDON D'ALIMENTATION	7.6 M (25 ft) 18/3-120V
	7.6 M (25 ft) 3X1.0MM 2X8M-220V/230V/240V
NIVEAU SONORE AU NIVEAU DE L'OREILLE DE L'OPÉRATEUR, À L'INTÉRIEUR SUR DE LA MOQUETTE	<78 dB(A)
OUTIL À MAIN INCLUS	Trace de 102 mm (4 in), 1 Jet, tuyaux d'aspiration et de solution 0.95 l/min (.25 GPM), 2,4 m (8 ft).


本手册配备给每台1000新机器。本手册提供必要的操作和维护说明与零件列表图。

## 操作或维修前请通读本手册并熟悉机器。


订购替换零部件时，请从此手册中选择合适零件。在订购零部件和配件之前，请确认机器型号及序列号。零部件和配件可以通过电话和邮件形式向坦能授权的任何一家维修中心订购。

该机器将提供卓越的性能。若在日常操作中注意以下事项，则能达到事半功倍的效果。

- 操作机器时非常小心。
- 定期维护机器-根据每台机器提供的维护说明。
- 维护机器的使用坦能提供的部件或同类部件。



**保护环境**  
请按照当地废物处理法规以环境安全的方式处理包装材料和旧的机器组件。



始终记住再循环。

## 机器信息:

请填写机器的安装日期以供参考。

机器型号.- \_\_\_\_\_

安装日期 - \_\_\_\_\_

序列号.- \_\_\_\_\_

## 目录

安全预防措施 .....	25
警告标志 .....	26
机器安装 .....	27
操作机器 .....	28
排空污水箱 .....	28
维护 .....	28
存放机器 .....	29
推荐库存项目 .....	29
故障排除指南 .....	29
清水压力很小或没有 .....	30
电路图 .....	31
零件列表 .....	33
包括手工工具 .....	35
选配件 .....	36

## Tennant Company

PO Box 1452  
Minneapolis, MN 55440 USA  
Phone: (800) 553-8033 or (763) 513-2850  
www.tennantco.com

## 坦能清洁系统设备（上海）有限公司

上海市青浦区工业园区天盈路66号3号楼， 201700  
电话：（86-21） 6922-5333  
传真：（86-21） 6922-5151  
www.tennant.co.cn

规格和零件可能更改，恕不另行通知。

版权所有 © 2008 TENNANT Company.  
保留所有权利。中国印刷



## 安全预防措施

本机器设计为商业用途，用来清洁地毯和家具垫，仅适合室内环境使用。仅使用推荐的辅助工具和合适的商用地毯清洁剂。

机器的所有操作人员都必须熟读，理解并按照一下安全措施来操作机器。

本手册通篇使用下列警告符号和“为安全”标志，意义见各自说明：

**警告：**对可能导致人员伤亡的危险或不安全做法提出警告。

为确保安全：需明确安全操作设备必须采取的行为。

如不按照以下警告执行操作，可能会导致人身伤害，电击及触电身亡，火灾和爆炸事故。

**警告：**请勿使用易燃液体或在操作机器时应远离这些易燃液体，蒸汽或可燃微尘。

本机器未安装防爆马达。电马达启动和操作时会产生火花。如果机器在易燃蒸汽/液体或可燃微尘环境中使用，可能导致明火或爆炸产生。

**警告：**易燃材料或活性金属禁止回收。

**警告：**电源线破损时请勿操作机器。请不要调整电源插头。维修机器前请拔掉插头。

如果电源线损坏或断裂，必须由生产商或其维修代理或类似合格的维修人员进行维修以避免危险。

**警告：**请勿在户外使用。请勿淋雨。室内存放。

以下信息描述了可能会对操作员和设备构成危险的情况。

为安全：

### 1. 请勿在以下情况操作机器：

- 使用易燃液体或靠近易燃水蒸气可能导致爆炸或明火产生。
- 除非经过培训并得到授权。
- 除非已经阅读并理解操作手册。
- 除非电源线合适接地
- 用损坏的电源线或插头。
- 如果操作环境不佳
- 室外
- 多水环境
- 使用延长电源线。

### 2. 机器操作之前：

- 确认所有的安全设备已经安装就位并正常运行。

### 3. 使用机器时：

- 请勿拉扯插头或电源线来拖动机器。
- 请勿在尖锐边缘或角落拖动电源线
- 请勿拉扯电源线来拔掉插头
- 请勿拉伸电源线
- 请勿湿手时接触插头
- 请将电源线远离热表面。
- 及时报告机器的损坏或故障情况。
- 化学制剂的配比方法请按照指示说明进行。
- 禁止儿童在机器旁玩耍

### 4. 离开或维修机器前：

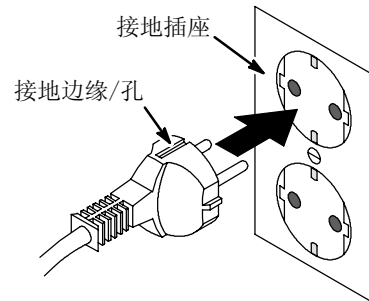
- 关闭机器
- 拔下电源线

### 5. 维修机器时：

- 拔下电源线
- 避免移动零部件。请勿穿宽松的夹克，衬衫或子宽松的衣服。
- 请使用生产商提供或认可的替换零部件。
- 所有维修须由合格的维修人员完成。
- 请勿在原设计上改造机器。

## 接地说明

机器必须接地。如果机器出现故障或破裂，接地会导走电流降低触电的危险。本机器配备接地装置的电源线。




(220V/230V/240V)

## 警告标志

在机器上确认所有的警告标志的位置。如果标签损坏或无法读出，请更换。



警告标签一位于盖子上。标签警告操作人员安全地操作设备

	<b>⚠ WARNING</b>	<b>⚠ ADVERTENCIA</b>	<b>⚠ 警告</b>
	<b>EXPLOSION, FIRE AND SHOCK HAZARD. AVOID INJURY.</b>	<b>PELIGRO DE EXPLOSIÓN, FUEGO, DESCARGA EVITE LESIONES.</b>	<b>爆炸、火灾和触电危险。请避免伤害。</b>
	<b>• Do Not Use or Pick Up Flammable Materials.</b>	<b>• No Use O Recoja Materiales Flamables.</b>	<b>• 不要操作损坏的电源线。</b>
	<b>• Do Not Use Near Flammable Liquids, Vapors or Combustible Dusts.</b>	<b>• No Use Cerca De Líquidos Flamables, Vapores O Materiales Combustibles.</b>	<b>• 不要修改电源插头。</b>
	<b>• Do Not Operate With Damaged Power Cord. Do Not Modify Plug. Unplug Power Cord Before Servicing Machine.</b>	<b>• No Use Con Cable De Corriente Dañado. No Altere El Enchufe. Desconecte Cable De Corriente Antes Del Mantenimiento.</b>	<b>• 在维修机器前拔出电源线插头。</b>
	<b>• Do Not Use Outdoors. Do Not Expose to Rain. Store Indoors.</b>	<b>• No Use Al Aire Libre. No Exponga A La Lluvia. Guarde Bajo Techo.</b>	<b>• 不要在户外使用。不要暴露在雨中。室内存放。</b>
			1048798

## 机器安装

1. 松开固定两个水箱的紧固闩。把污水箱提起并和清水箱分开。（图1）



图 1

2. 把2加入（7.5升）热水倒入清水箱。水温不得超过140°F（60°C）。如果清洗面积不大，倒入的水量也要少。清水箱上有刻度指示水位。（图2）

**警告：**易燃材料能引起爆炸或明火。请勿在水箱里使用易燃材料。



图 2

3. 如果愿意，在清水中加入液体清洗化学剂。按化学剂瓶上的说明调节稀释度。

**为安全：**使用机器时，化学制剂的配比方法请按照指示说明进行。

**注意：**不要在清水箱中加颗粒状的化学剂。可先在一个桶里彻底混合粉状化学剂后再倒入机器内。清洁粉可能不完全溶解，会引起溶液泵系统堵塞。

4. 把污水箱放回清水箱，上紧紧固闩。
5. 把电源线插入接地的插座（图3）。

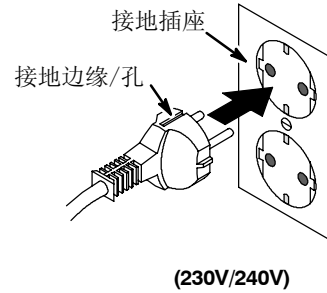


图 3

**为安全：**电源线接地后操作机器

**为安全：**请勿在操作机器时使用延长线。

6. 把手工具软管接到清洗机上。确定连接头入清洗机的连接头。（图4）



图 4

## 操作机器

为安全：操作员必须阅读并理解操作手册后再操作机器。

1. 合上开关。开关在机器的后面板上。

注意：如果使用清洗化学剂，先在隐蔽地方度验染色性。

2. 把手工具放在要清洗的地方，按原开关，并把手工具向后拉。（图5）



图 5

注：不要在家具垫上洒过多液体，否则要很长时间才能干。

**警告：**易燃材料或活性金属能引爆炸或明火。请勿拾取。

3. 定期检查污水箱液位。当污水箱液位到达如图显示的位置时，请关闭机器并排干水箱（图6）。



图 6

注意：请勿在污水箱水位到达所示高度时继续操作机器。这样会损坏真空马达，这种损坏不属于保修范围。

## 排空污水箱

1. 关断开关

**警告：**排空污水箱前，断开电源线。

2. 从污水箱取出真空软管。松开紧固闩，同时提起污水箱使之离开溶液槽。完全排空污水箱，用清水冲洗数次，去除槽内异物。这将防止种蓄的臭味。（图7）



图 7

3. 在下水道口翻倒清水箱，倒掉未使用的清洗液。如果在清水箱内使用化学剂，用清水冲洗，去除剩余的泡沫。这样将防止化学剂沉积。

## 维护

为保持机器处于良好的状态，请根据以上维护步骤。

**警告：**危险电压。可能导致电击或触电。维修机器前请拔掉电源。

### 每日维护

1. 用无磨损、无溶剂的清洗剂清洗机器。
2. 彻底冲洗几固槽。
3. 取出并清洗真空过滤器。
4. 检查电源线是否损坏，必要时更换。每次使用后把电源线盘起来。

### 每周维护

1. 用乙酸溶液冲洗泵系统，以溶解一般的化学沉积。

**为安全：使用机器时，化学制剂的配比方法请按照指示说明进行。**

- A. 把16盎司（0.5公升）乙酸溶液和2加入热水倒入清水箱（热水最高140°F（60°C））。
- B. 打开开关。
- C. 连接手工具，按照开关，直到乙酸溶液开始喷出。把溶液喷进桶内。
- D. 在冰冻温度以上，让溶液在系统内保留6小时。
- E. 然后，把溶液喷进桶内。然后用2加入水冲洗系统，冲掉杂质。

- 2. 检查真空软管是否有孔，是否松动。
- 3. 检查电源线是否损坏，如损坏则更换。

### 每250小时操作之后

检查刷子和真空马达的碳刷是否磨损。磨至长度小于3/8英寸（1cm）时，更换碳刷。

### 存放机器

- 1. 存放机器前，务必冲洗水箱并排干所有水。
- 2. 机器垂直放置在干燥环境里。

**警告：不要把机器暴露在雨中。应放在室内**

### 在冰冻温度下存放机器

确定机器、泵和喷雾系统完全排空，弄干。把未稀释的防冻剂倒入清水箱，透过管道循环到系统内。

### 推荐库存项目

请参考推荐库存零件列表。库存零件用在以下零件描述的公告中详细说明。请参考下列例子：

Ref.	Part No.	Description	Qty.
1	701103	ASM.,STANDPIPE	1
2	190619	◆FLOAT, SHUTOFF	1
3	230187	NIPPLE	1
4	101714	◆GASKET	1
5	210240	NUT, FLANGED	1

### 故障排除指南

故障	原因	排除方法
真空回收不好	1. 真空软管口和污水箱连接不牢。	1. 推紧真空软管和污水箱的接头。
	2. 真空过滤器堵塞。	2. 取出过滤器清洗。
	3. 污水箱没有牢固地夹在清水箱上。真空垫漏气。	3. 夹紧两个插肖，使两个水箱之间紧密套牢。
	4. 真空垫磨损或损坏。	4. 更换真空垫。
清水压力很小或没有	手工具上的喷雾头过滤器堵塞。	取出喷雾头，够到过滤器。取出清洗。

## 操作

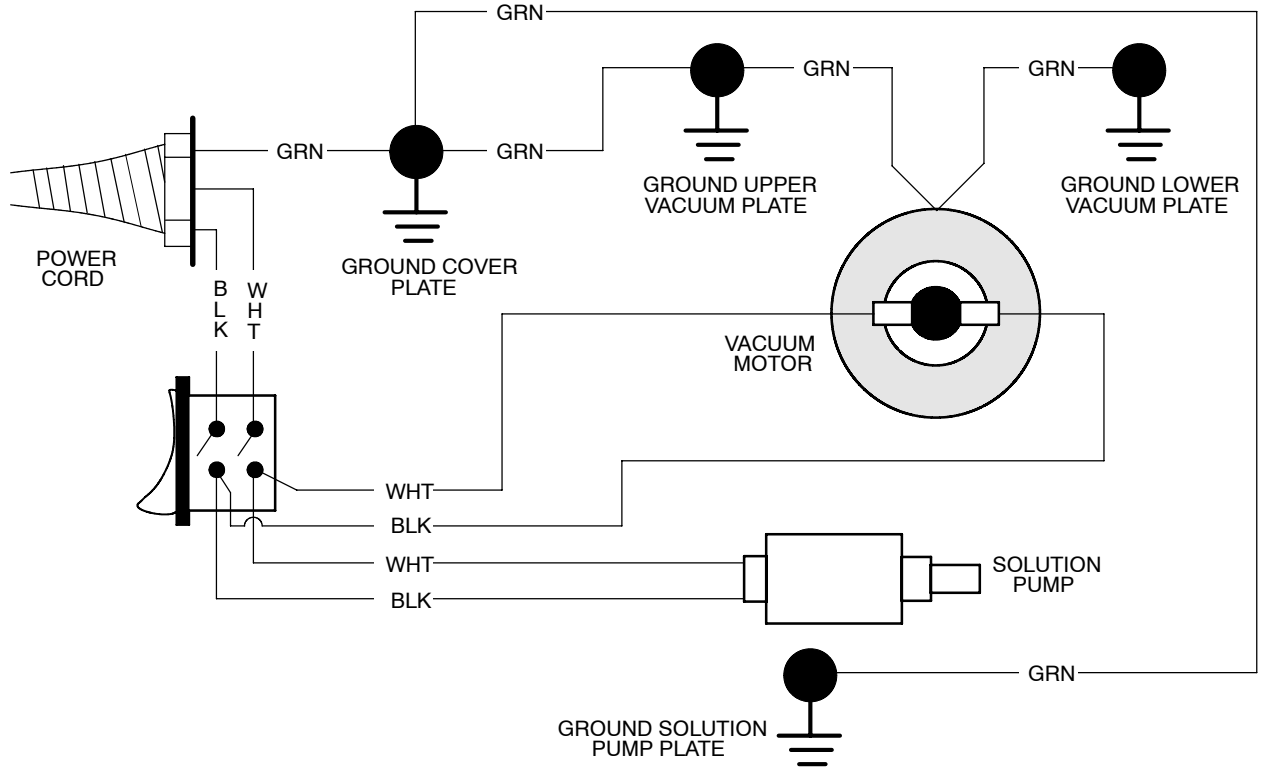
---

### 清水压力很小或没有

<b>型号</b>	<b>1000</b>
长度	533 mm
宽度	197 mm
高度	445 mm
重量	8.2 Kg
清水箱容量	7.57 L
污水箱容量	5.67 L
清水泵	230 VAC, 2.1 kPa , .75A, 173W
真空马达	230 VAC, 1.12 HP, 3.5A, 805W, 2 stage, 84.5 cfm
真空吸力值	1968 mm
总电量消耗	230 VAC, 4.1A, 943 W
电源线	7.6 M 3X1.0MM 2X8M
操作员耳部噪音声级 室内地毯	<78 dB(A)
包括手工工具	102 mm path, 1Jet, .95 LPM, 2.4M Vacuum and Solution Hoses.

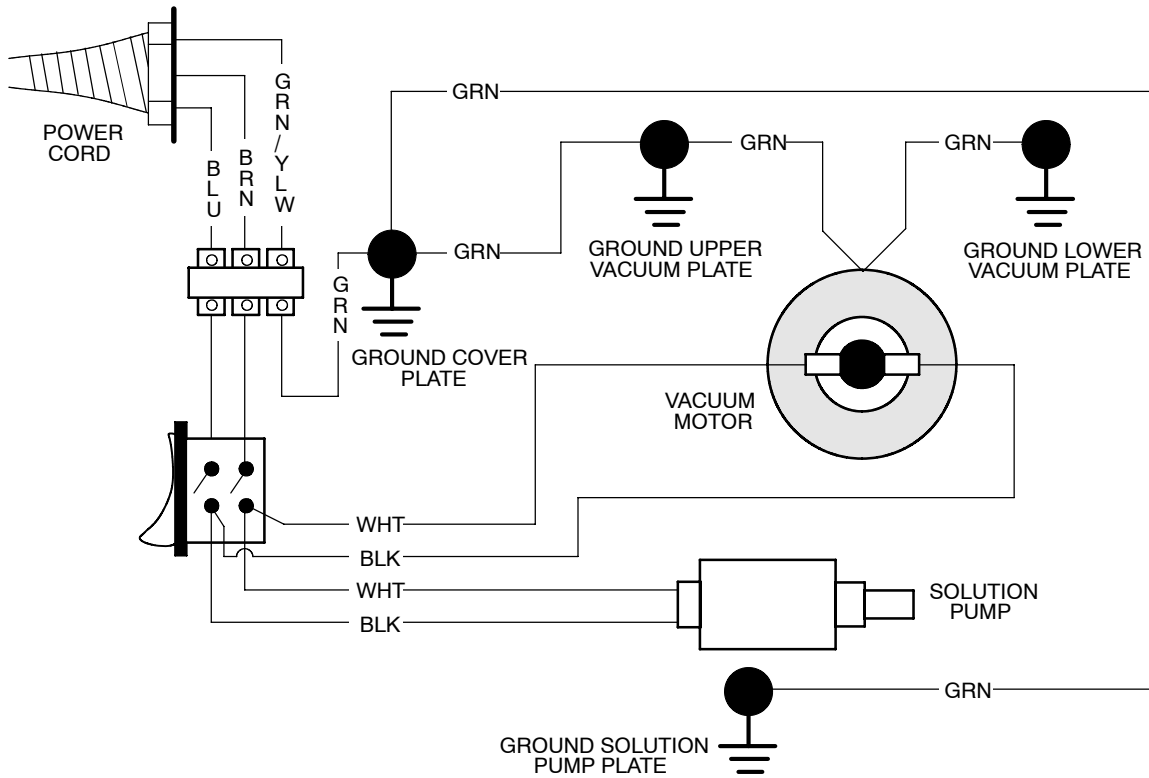
# ELECTRICAL DIAGRAMS

120V 50/60HZ

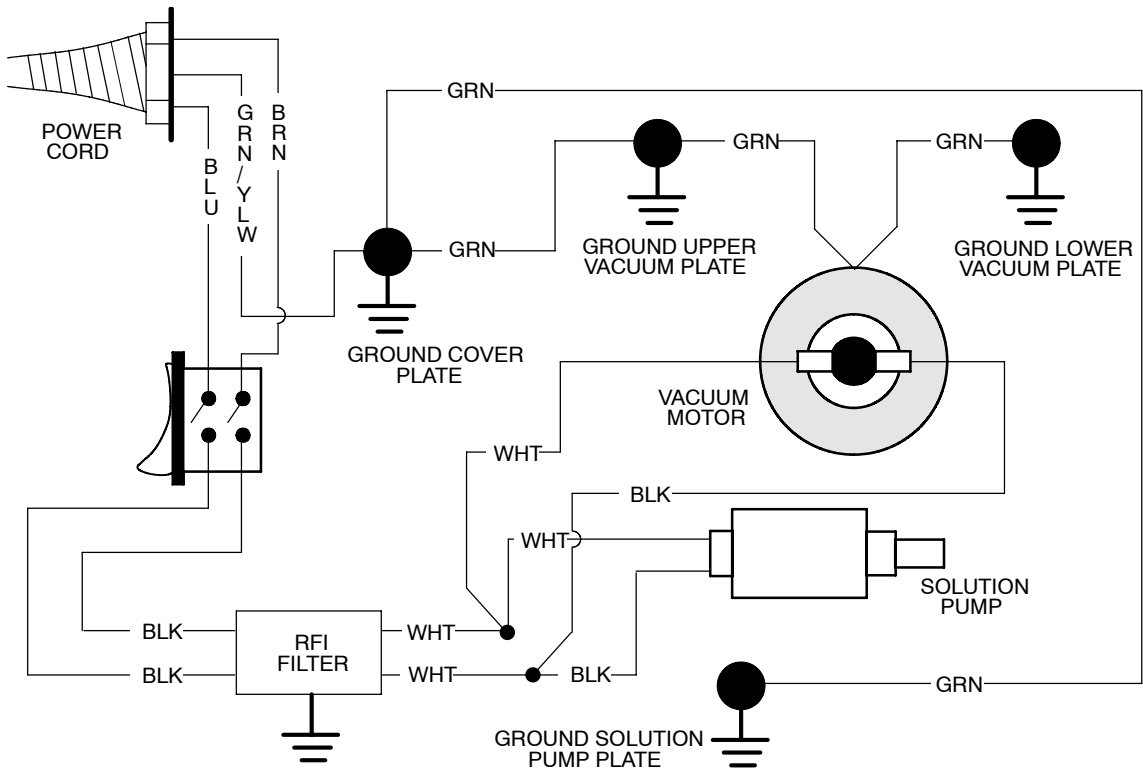


# ELECTRICAL DIAGRAMS

## 220V/230V

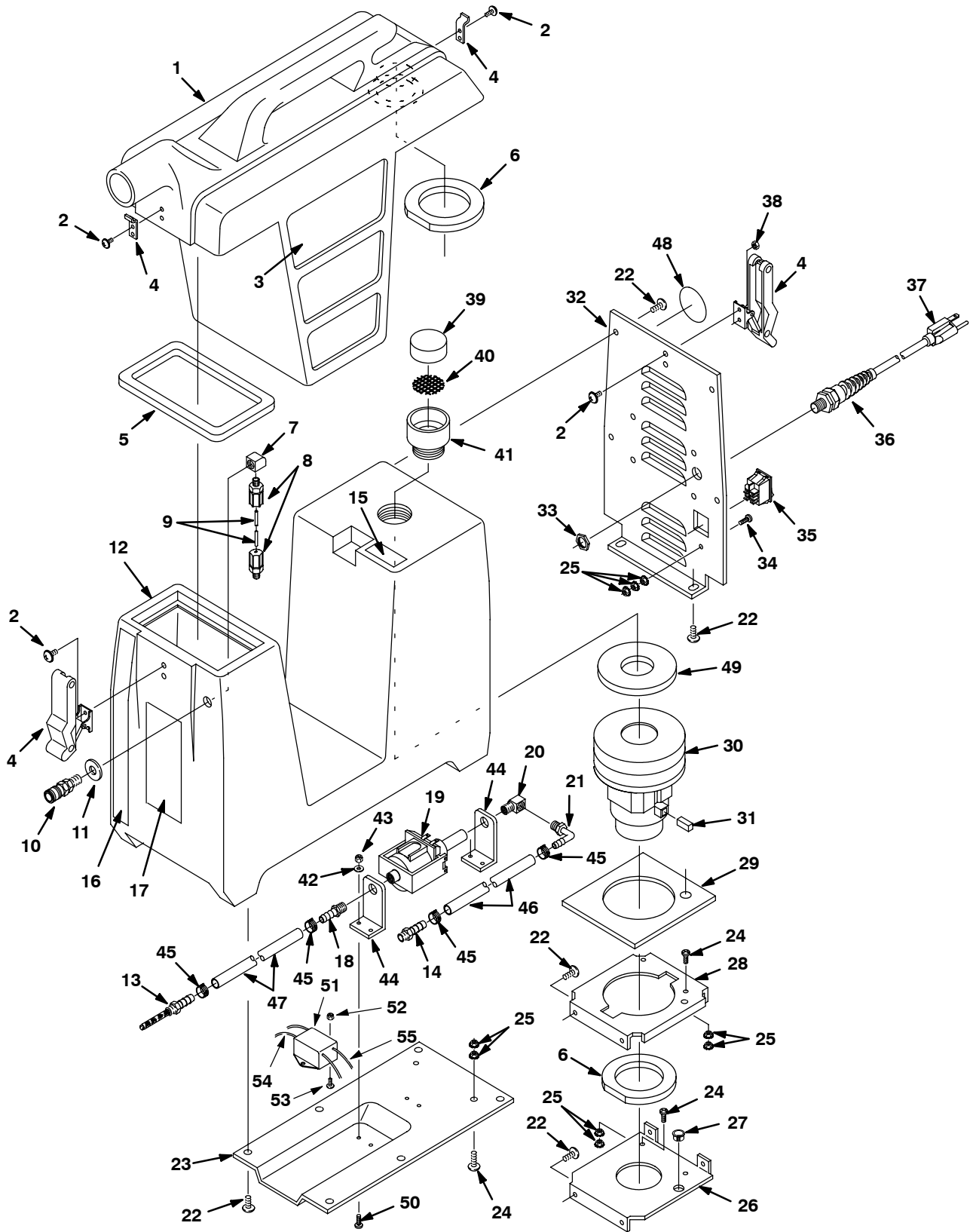


## 230V/240V EMC





MACHINE PARTS



# PARTS LIST

## MACHINE PARTS

REF	PART #	DESCRIPTION	QTY.
1	100360	TANK , RECOVERY, WHITE	1
2	609980	SCREW, 8-32X3/8 TRSPHL SEMS	8
3	608126	DECAL, TENNANT 1000	2
4	49800	●LATCH	2
5	102553	●GASKET, SOLUTION TANK SEAL	1
6	102556	●GASKET, RECOVERY TANK SEAL	2
7	150402	ELBOW, 90° 1/8F X 1/8F	1
8	150309	CONNECTOR MALE 1/8NPT W/-NUT	2
9	560495	TUBING, NYLON .17ID X 12"	1
10	150915	COUPLER, QCK 1/8 BRASS-SER 5	1
11	140036	WASHER, FLAT 3/8	1
▽ 12	604331	TANK, SOLUTION, WHITE	1
▲ 13	603650	FILTER, SOLUTION TANK	1
▲ 14	603649	ADAPTER FITTING 1/4HXB1/4H	1
▲ 15	120906	DECAL, "IMPORTANT DRAIN..."	1
▲ 16	121006	DECAL, GALLON/LITER MARK	1
▲ 17	1026383	LABEL, WARN, 7X2.25, AC SCRIB/EXTR EN/FR/ES	1
	1048798	LABEL, WARNING [EXP, FIRE, SHK EN, ES, CH] (CHINESE MODEL)	1
18	150525	FITTING, 1/8M X 1/4H	1
19	603653	●PUMP, 30PSI 120V 60HZ	1
	604238	●PUMP, 30PSI 230V 50HZ (220V/230V/240V 50HZ)	1
20	150407	FITTING, 1/8M X 1/8F ELBOW 90	1
21	578214000	ELBOW, 1/8M X 1/4 H 90° NYLON	1
22	140197	SCREW, 10-24X3/8	14
23	608513	PANEL, BOTTOM, BLACK	1
24	140892	SCREW, 10-24X1/2 RNDPHL	3
25	140519	NUT, KEP 10-24 - S/S	9
26	230776	PLATE, BAFFLE	1
27	130698	BUSHING, SNAP	1
28	230777	PLATE VAC MOTOR MOUNT	1
29	102552	●GASKET, VAC MOTOR PLATE	1
▽ 30	130457	●MOTOR, VAC 4.8-2 STG (120V)	1
▲ 31	190155	●CARBON BRUSH KIT (2/PK)	2
▽ 30	130458	●MOTOR, VAC 4.8-2 STG (220V/230V/240V)	1
▲ 31	190158	●CARBON BRUSH KIT (2/PK)	2

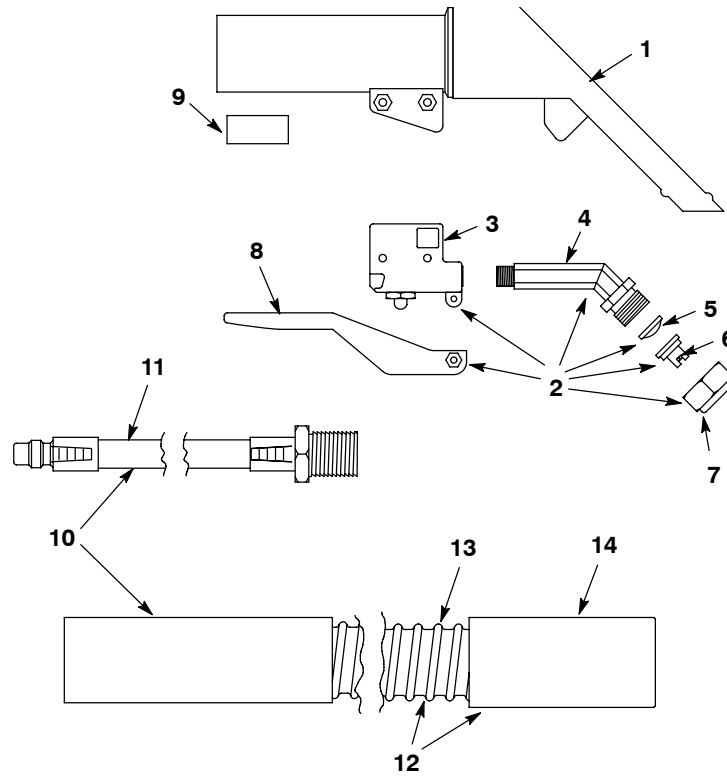
▽ ASSEMBLY

▲ INCLUDED IN ASSEMBLY

● RECOMMENDED STOCK ITEMS

REF	PART #	DESCRIPTION	QTY.
32	608514	PANEL REAR COVER, BLACK	1
33	140549	NUT, LOCK 3/8 CONDUIT	1
34	140895	SCREW, MCH 10-24X3/4	1
35	602669	●SWITCH, ROCKER 20A DPST	1
36	130137	●CORD GRIP 3/8NPT BLK	1
37	130277	●CORD, 18/3X25' YELLOW (120V)	1
	600397	●CORD, 3X1.0MM 2X8M BLACK (220V/230V)	1
	1038777	●CORD, POWER, ELE, 1.0 MM X 15 M BLK [AUS] (220V/230V/240V EMC)	1
38	28990	NUT, LOCK 8-32 W/NYLON INST	2
39	102550	●FILTER, FOAM	1
40	230794	●FILTER, SCREEN 004 MESH	1
41	230836	FITTING, STR 1-1/2MX1-1/4F	1
42	140011	WASHER, #10 FLAT	4
43	140552	NUT, NYLON 10-24	4
44	603663	BRACKET, PUMP MOUNT	2
45	603654	CLAMP, HOSE EAR	4
46	603651	HOSE, 1/4"ID X 5-1/4"	1
47	603652	HOSE, 1/4"ID X 10-1/2"	1
48	-	N/A	1
49	102557	●GASKET, VAC MOTOR SEAL	1
50	140892	SCREW 10-24X1/2	4
51	613097	●FILTER, SAMIL (220V/230V/240V EMC MODEL)	1
52	140539	NUT, 6-32 KEP (220V/230V/240V EMC MODEL)	1
53	590137	SCREW, 6-32X3/8 (220V/230V/240V EMC MODEL)	1
54	130133	TERMINAL, ML .25 (220V/230V/240V EMC MODEL)	2
55	281004001	TERMINAL, FM .25 (220V/230V/240V EMC MODEL)	2
N/S	130183	CONNECTOR, T-TAP FEMALE (220V/230V/240V EMC MODEL)	2

STANDARD HAND TOOL



REF	PART #	DESCRIPTION	QTY.
	613396	●ASM., HAND TOOL COMPLETE	1
▽	608901	●ASM., HAND TOOL W/TRIGGER	1
▲ 1	608891	●TOOL, HAND W/O TRIGGER	1
▲▽ 2	608899	ASM., TRIGGER	1
▲ 3	608894	BODY, VALVE	1
▲ 4	608895	NOZZLE, SPRAY	1
▲ 5	608900	●SCREEN	1
▲ 6	608896	●TIP, SPRAY	1
▲ 7	608897	●CAP	1

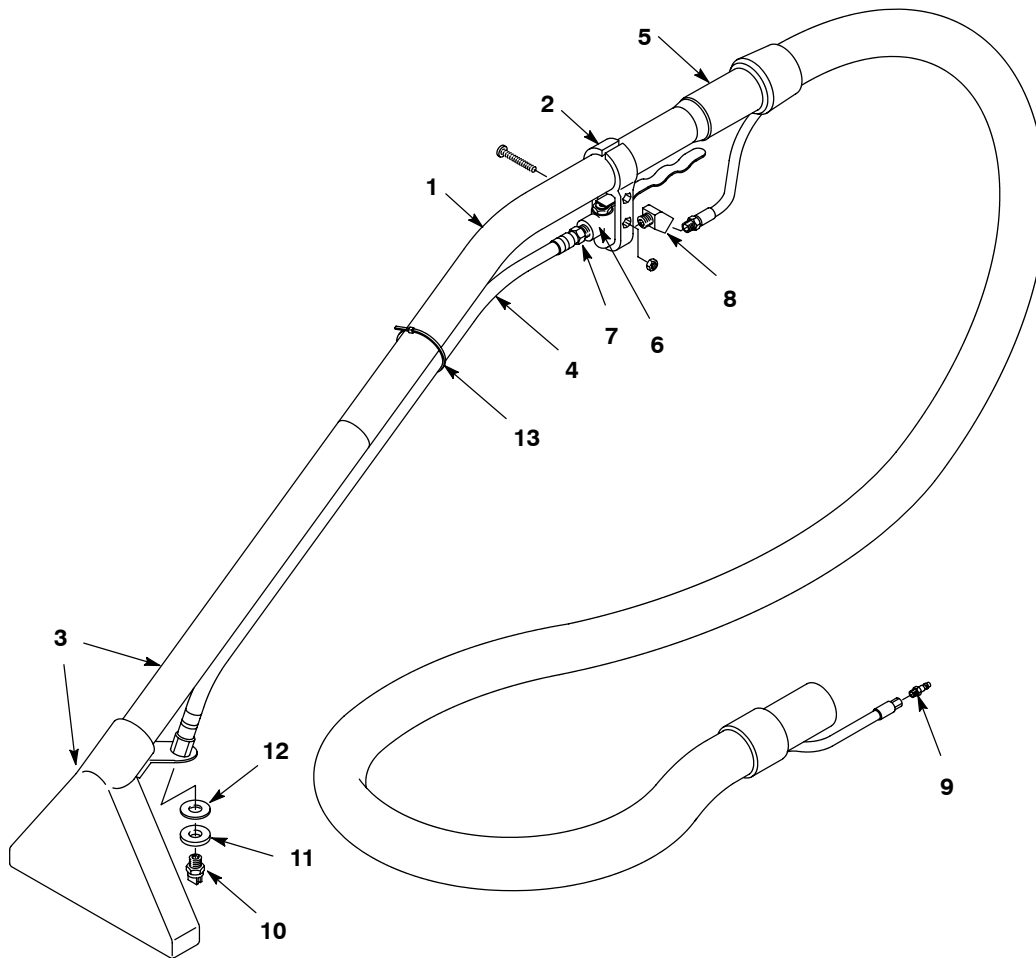
REF	PART #	DESCRIPTION	QTY.
▲ 8	608898	TRIGGER	1
9	608892	SEAL, SOLUTION HOSE	1
▽ 10	613395	●ASM., HOSE VAC/SOL W/ TWO CUFFS	1
▲ 11	608893	●ASM., SOLUTION HOSE	1
▲▽ 12	613394	●ASM., HOSE VAC W/ONE CUFF	1
▲ 13	613393	●HOSE, VACUUM 1-1/2"	1
▲ 14	609440	●CUFF, HOSE 1-1/2" X 3-1/2"	1

▽ ASSEMBLY

▲ INCLUDED IN ASSEMBLY

● RECOMMENDED STOCK ITEMS

## OPTIONAL FLOOR TOOL



REF	PART #	DESCRIPTION	QTY.
▽	605976	●TOOL, FLOOR COMPLETE	1
▲	1	200467 WAND, UPPER SECTION ONLY	1
▲	2	605988 ASM., VALVE HANGER	1
▲	3	605977 ASM., 8" HEAD AND LOWER TUBE	1
▲	4	605991 ASM, 1/4" HOSE WHIP 3 FT	1
▲	5	603546 ●HIDE A HOSE 1-1/2"X10FT	1
▲	6	578064000 ●VALVE, WATER CONTROL	1
▲	7	150516 FITTING, 1/4MX3/8H BARB BRS	1

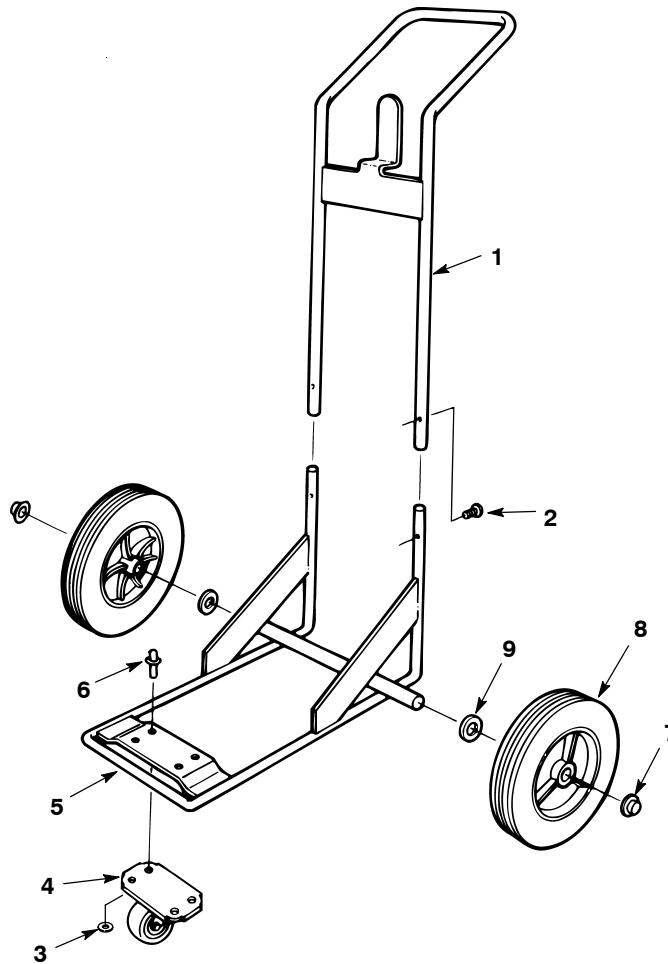
REF	PART #	DESCRIPTION	QTY.
▲	8	150403 FITTING, 1/4MX1/4F ELBOW STR45	1
▲	9	150921 ●PLUG, QCK. COUPLER - SER. 5	1
▲	10	605989 ●JET, VEE PLASTIC	1
▲	11	605990 WASHER, ABS, 0.53X1.1X0.19 BLK	1
▲	12	140058 WASHER, .543X.875X.062 WAND	1
▲	13	130041 TIE, CABLE BLACK	1

▽ ASSEMBLY

▲ INCLUDED IN ASSEMBLY

● RECOMMENDED STOCK ITEMS

OPTIONAL HANDCART



REF	PART #	DESCRIPTION	QTY.
▽	701015	●ASM., CART COMPLETE	1
▲ 1	230781.BK	HANDLE, WELDMENT CART	1
▲ 2	140890	SCREW, 10-24X1/2 TRSPHL	2
▲ 3	140000	WASHER, FLAT 1/4" USS -ZINC	4
▲ 4	103001	●CASTER, 3" SWIVEL	1

REF	PART #	DESCRIPTION	QTY.
▲ 5	230780.BK	FRAME, WELDMENT CART	1
▲ 6	140701	RIVET, POP 1/4 X .126-.250	4
▲ 7	103019	●CAP, HUB	2
▲ 8	607277	●WHEEL, 8" X 1.75 SMOOTH GRAY	2
▲ 9	140008	WASHER, FLAT .570X1.28X.075	2

▽ ASSEMBLY

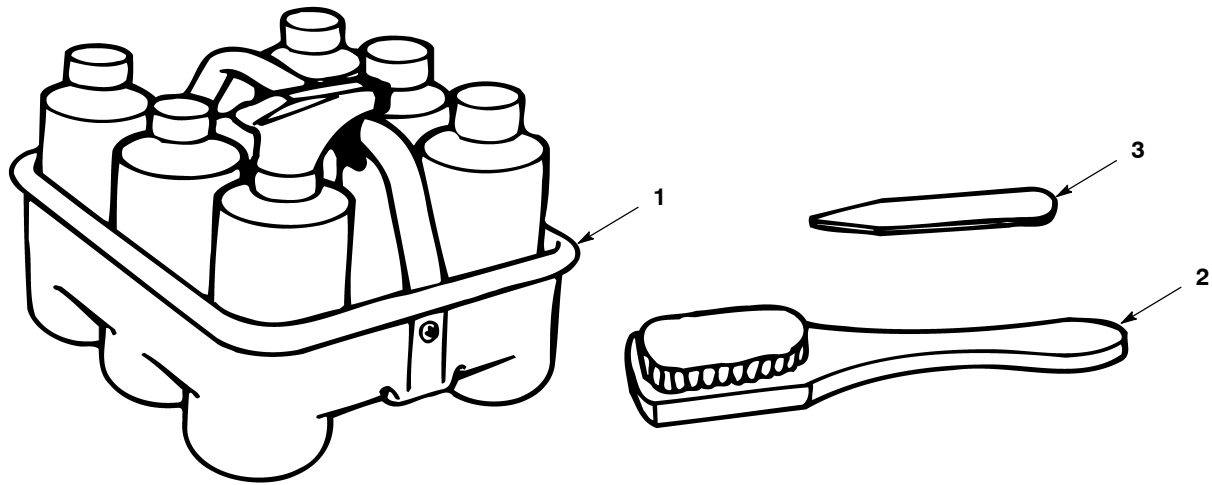
▲ INCLUDED IN ASSEMBLY

● RECOMMENDED STOCK ITEMS

# OPTIONS

---

## OPTIONAL SPOTTING KIT



REF	PART #	DESCRIPTION	QTY.
∇	111002	●KIT, SPOTTING	1
▲ 1	701165	●ASM., BASKET	1
▲ 2	240042	●BRUSH, TAMPING HEAVY DUTY	1
▲ 3	240049	●SCRAPER, WHALEBONE	1