

**2100/2120/2130  
2140/2150**

**Floor Machine**

**Model No.'s.:**

**801371 – 2100 (120V)**

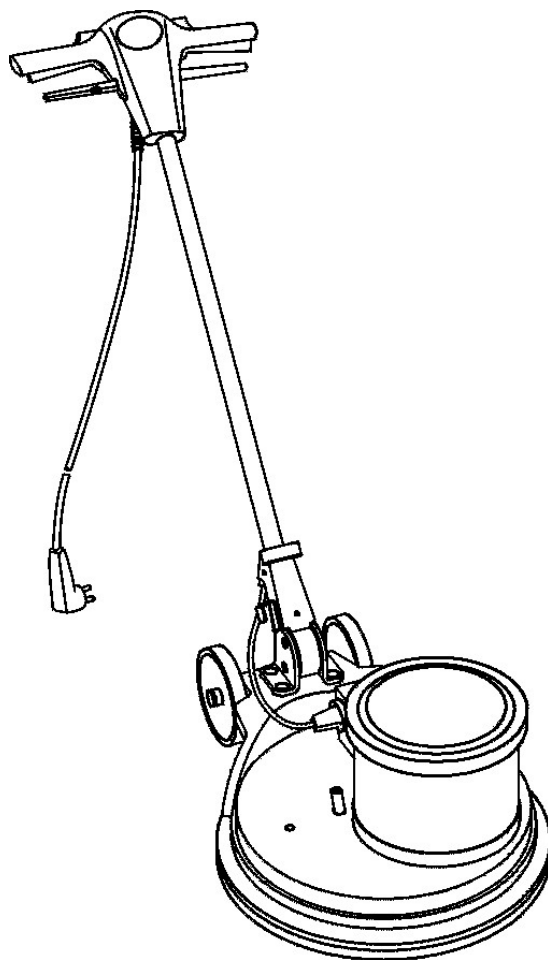
**801342 – 2120 (120V)**

**801366 – 2130 (120V)**

**801361 – 2140 (120V)**

**801364 – 2150 (120V)**

**Operator and Parts Manual**

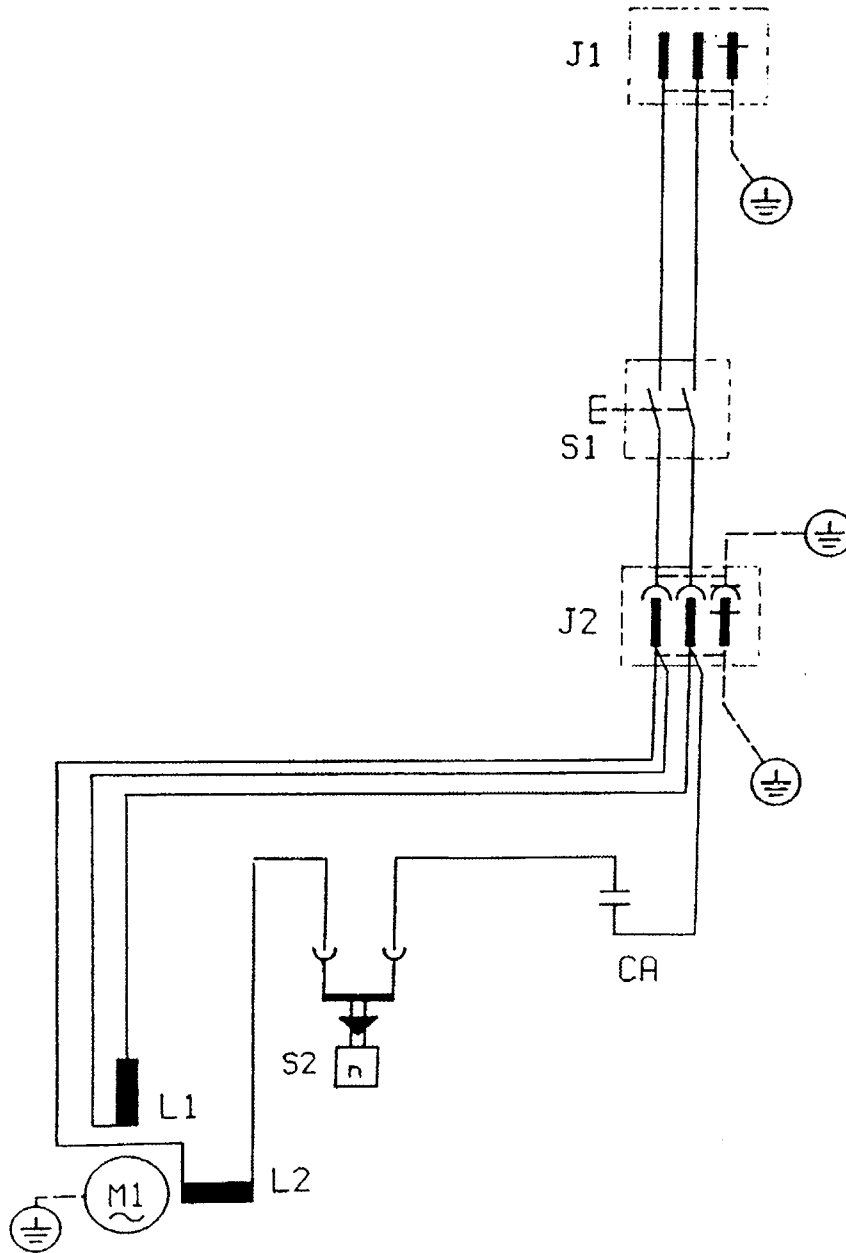


**TENNANT COMPANY**  
**Commercial Products**  
12875 RANSOM STREET  
HOLLAND MI 49424

**FAX: 1-800-678-4240**  
**CUSTOMER SERVICE: 1-800-982-7658**

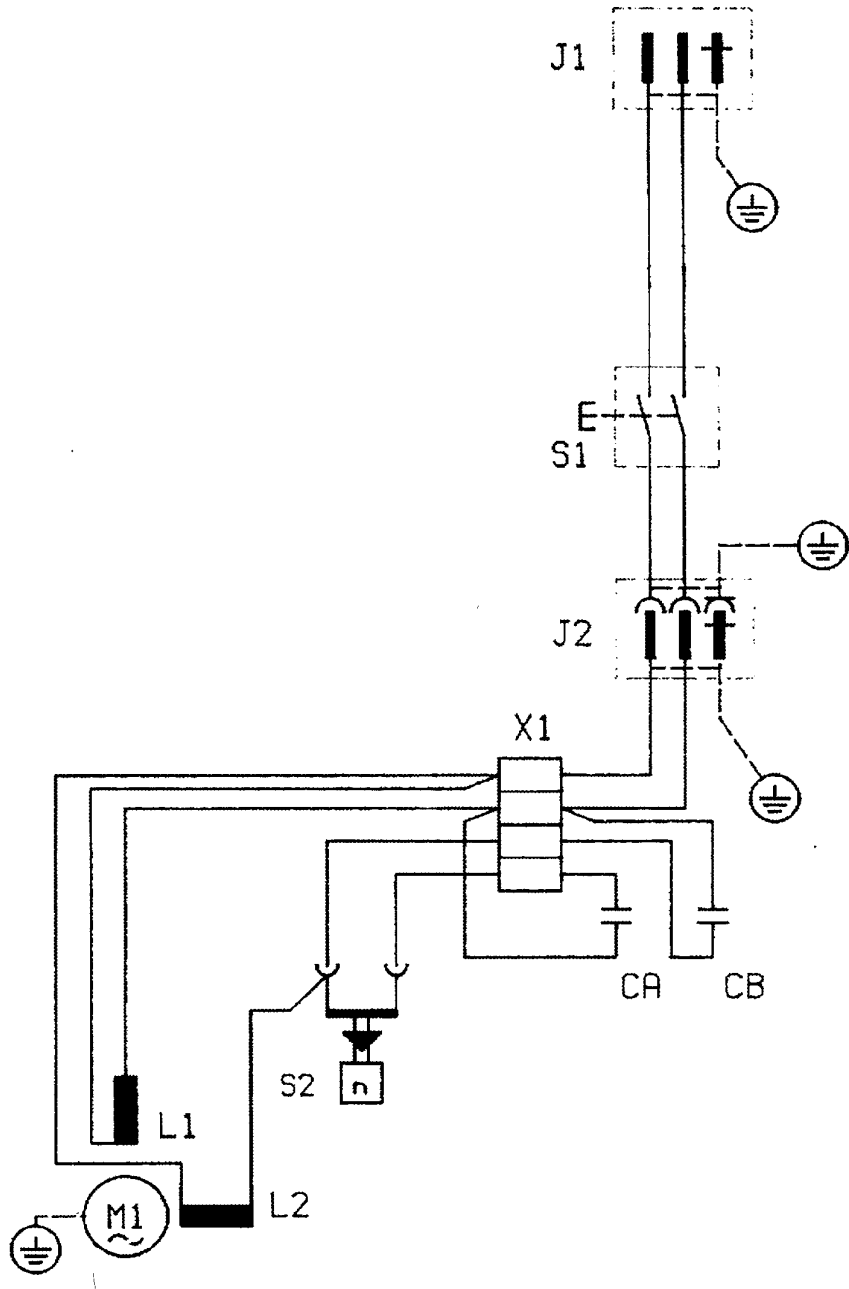
**801348**  
**Rev. 01 (02-02)**

**2100 WIRING (120V)**



- LEGEND**  
 CA = CAPACITOR  
 J1 = CONNECTION  
 J2 = PLUG  
 L1 = COIL  
 L2 = COIL  
 M1 = MOTOR  
 S1/S2 = SWITCH

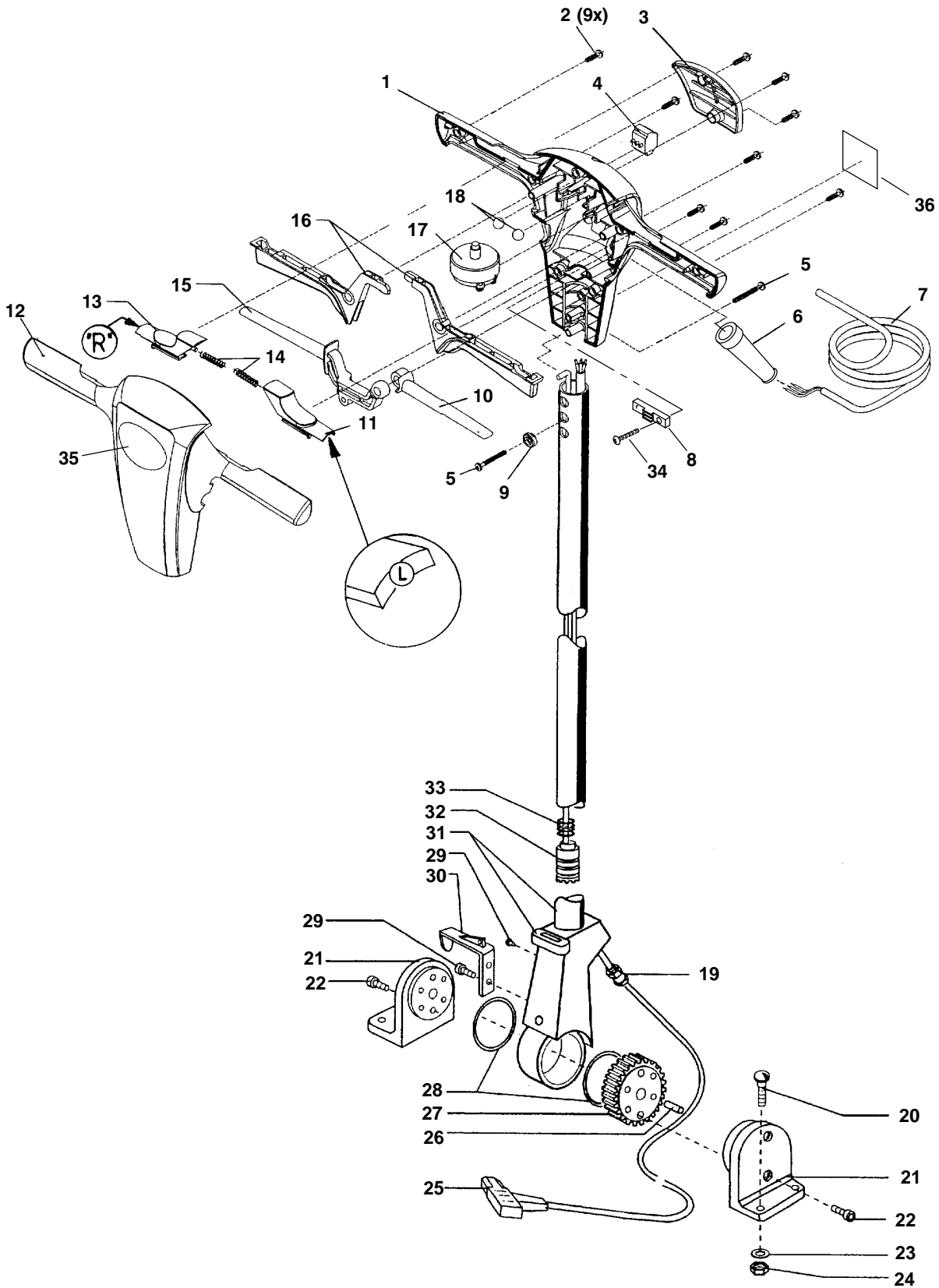
**2120 / 2130 / 2140 / 2150 WIRING (120V)**



**LEGEND**

- CA/CB = CAPACITOR
- J1 = CONNECTION
- J2 = PLUG
- L1 = COIL
- L2 = COIL
- M1 = MOTOR
- S1/S2 = SWITCH
- X1 = BINDING POST

### 2100 / 2120 / 2130 / 2140 / 2150 HANDLE GROUP



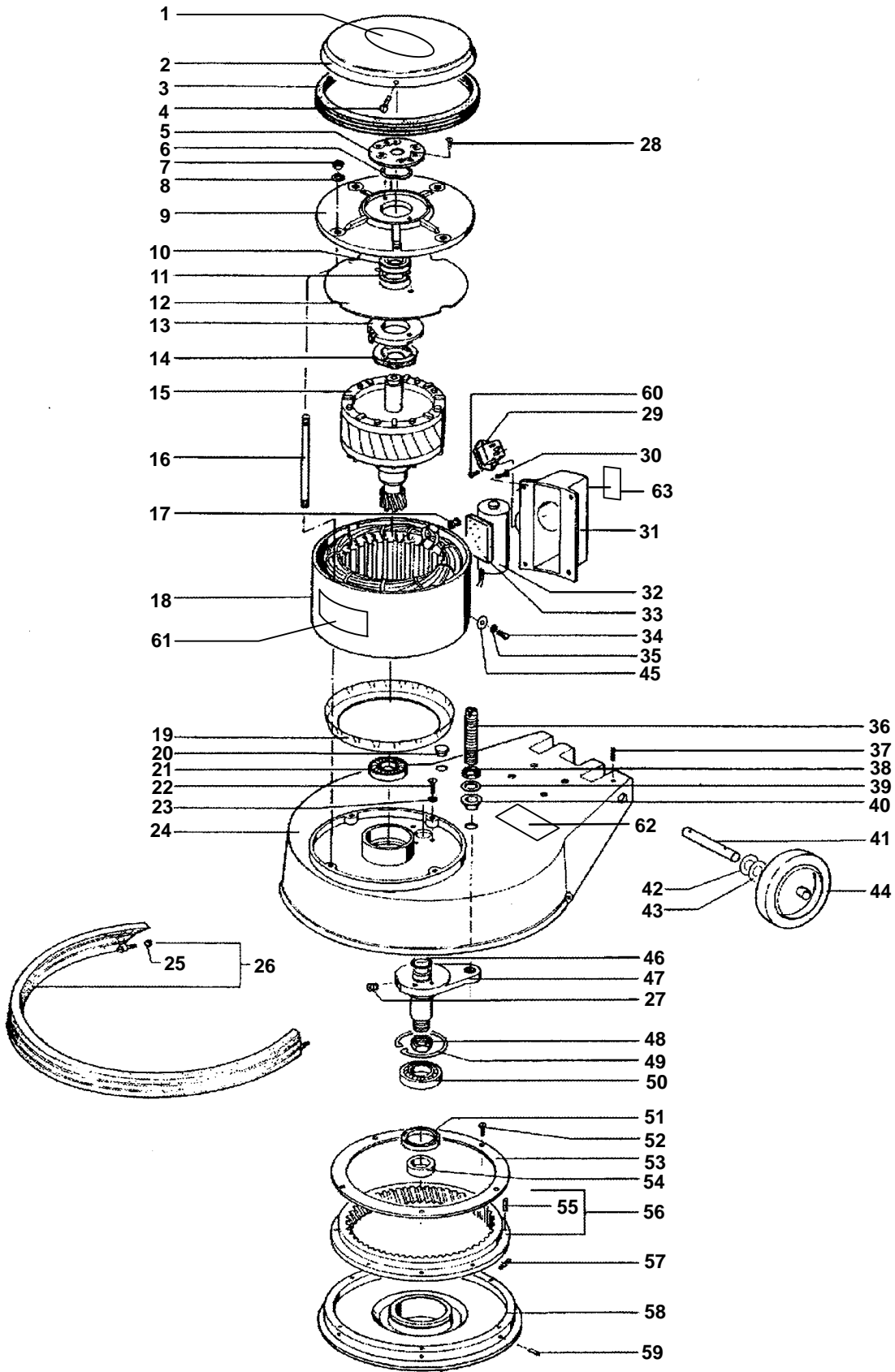
**2100 / 2120 / 2130 / 2140 / 2150 HANDLE GROUP**

REF	PART #	DESCRIPTION	QTY
	801454	ASSEMBLY, HANDLE	1
1	801447	●HOUSING	1
2	801274	●SCREW	9
3	801003	COVER	1
4	801052	BINDING POST	1
5	801247	SCREW	2
6	801448	●GRIP, CORD	1
7	801359	CABLE	1
8	99916617	BINDING POST	1
9	99916544	INSERT	1
10	801009	●LEVER	1
11	801005	●SLIDE "L"	1
12	801007	●HOUSING	1
13	801004	●SLIDE "R"	1
14	801013	●SPRING	2
15	801008	●LEVER	1
16	801006	●LEVER	2
17	99916592	●SWITCH	1
18	801035	●BALL	2
19	99942168	GRIP, CORD	1

REF	PART #	DESCRIPTION	QTY.
20	99918245	●SCREW	4
21	99918240	HOLDER	2
22	99915121	SCREW	4
23	99915678	●WASHER	4
24	99915680	●NUT	4
25	801353	●CABLE	1
26	99918243	PIN	2
27	800495	●GEARWHEEL	1
28	99923586	●RING	2
29	99946554	SCREW	3
30	99915686	●HOOK	1
31	801143	●TUBE	1
32	801256	ROD	1
33	99915228	●SPRING	1
34	801449	SCREW	2
35	99918249	DECAL, "TENNANT"	1
36	800383	DECAL, READ MANUAL	1
N/S	99918465	WIRE, BLUE	1
N/S	99921332	WIRE, BROWN	1

- Recommended Stock Item

### 2100 BASE GROUP



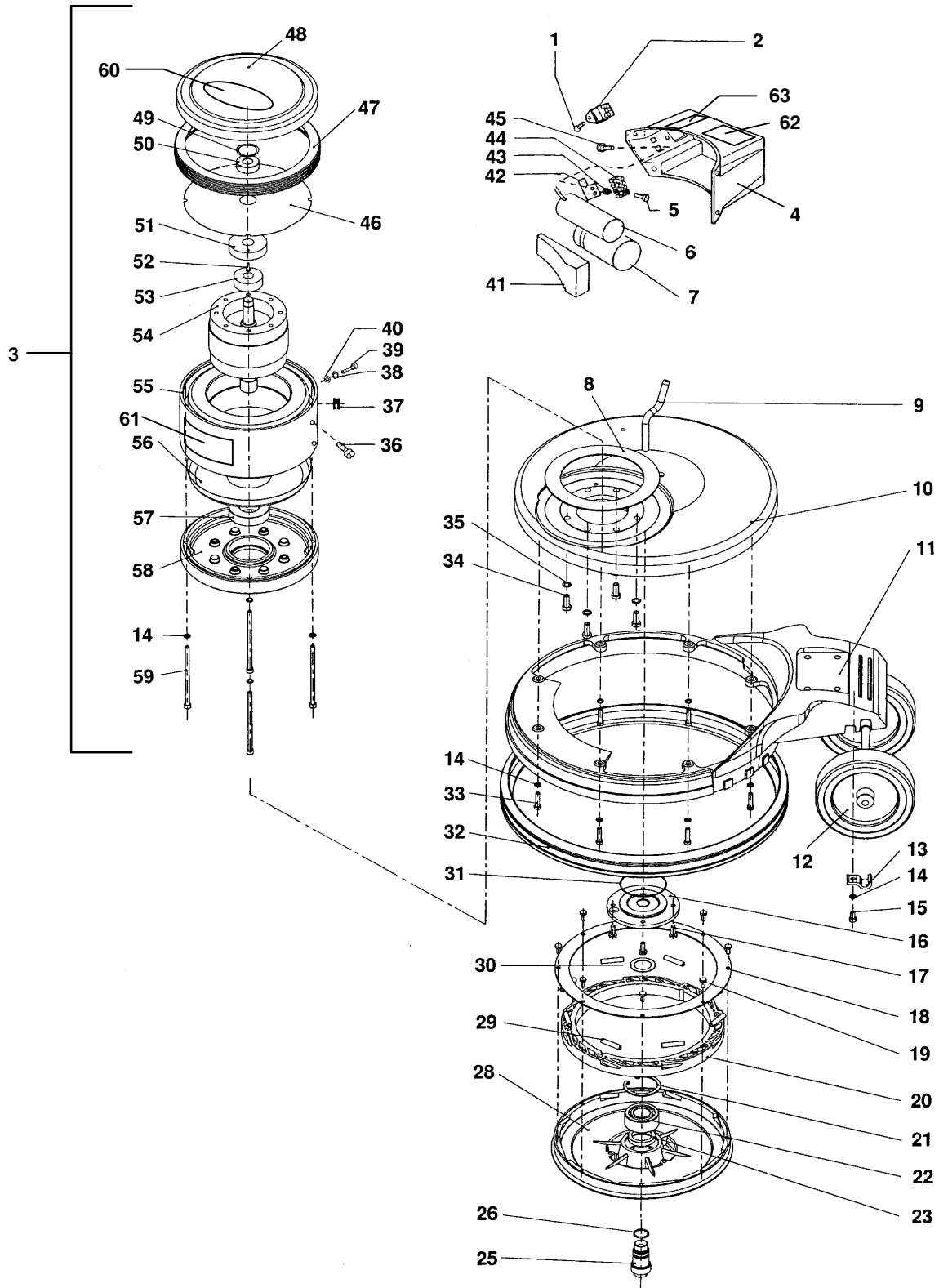
## 2100 BASE GROUP

REF	PART #	DESCRIPTION	QTY
1	800372	DECAL, TENNANT LOGO	1
2	99915532	CAP	1
3	99915536	●BUMPER RING	1
4	99946032	SCREW	2
5	99915528	COVER	1
6	99915526	WASHER	1
7	99915638	NUT	4
8	99915640	WASHER	4
9	99915516	COVER	1
10	99915522	●DEEP GROOVE BALL BEARING	1
11	99915524	●CIRCLIP	1
12	99926096	WASHER	1
13	99927120	●CONTACT PLATE	1
14	99929926	●SWITCH	1
15	99915512	ROTOR	1
16	99915634	SCREW	4
17	99915030	SPOUT	1
18	800331	●STATOR	1
19	99915642	WASHER	1
20	99917544	STOPPLE	1
21	99938548	●BEARING	1
22	99923396	SCREW	3
23	99915136	WASHER	3
24	99927184	HOUSING	1
25	99915658	●HEX NUT	2
26	99915626	●PROTECTION DEVICE	1
27	99927942	STOPPLE	1
28	99915531	SCREW	2
29	99926012	●APPLIANCE PLUG	1
30	99916711	SCREW	4
31	613230	●CAPACITOR HOUSING	1
32	99929292	●STARTING CAPACITOR, 110V	1

REF	PART #	DESCRIPTION	QTY
33	99915545	INSERT	1
34	99921704	SCREW	1
35	99915166	WASHER	1
36	99927944	TUBE	1
37	99923406	PIN	2
38	99916123	NUT	1
39	99916121	WASHER	1
40	99916506	RING	1
41	99918388	BOLT	2
42	99918292	WASHER	4
43	99920208	WASHER	6
44	613198	●CARRYING WHEEL	2
45	99922274	WASHER	1
46	99916130	RING	1
47	99927940	SHAFT	1
48	99915158	NUT	1
49	99915124	RING	1
50	99915122	●ANGULAR BALL BEARING	1
51	99915126	RING	1
52	99915120	SCREW	6
53	99915116	RING	1
54	99915128	BOX	1
55	99915112	PIN	1
56	99915103	●TOOTHED RING	6
57	99915114	SPRING	1
58	801083	HOLDER	1
59	99915110	●ADAPTOR SLEEVE	2
60	99927026	SCREW	1
61	800373	DECAL, 2100	1
62	602597	DECAL, WARNING	1
63	800488	DECAL, HAZARDOUS VOLTAGE	1

- Recommended Stock Item

### 2120 BASE GROUP





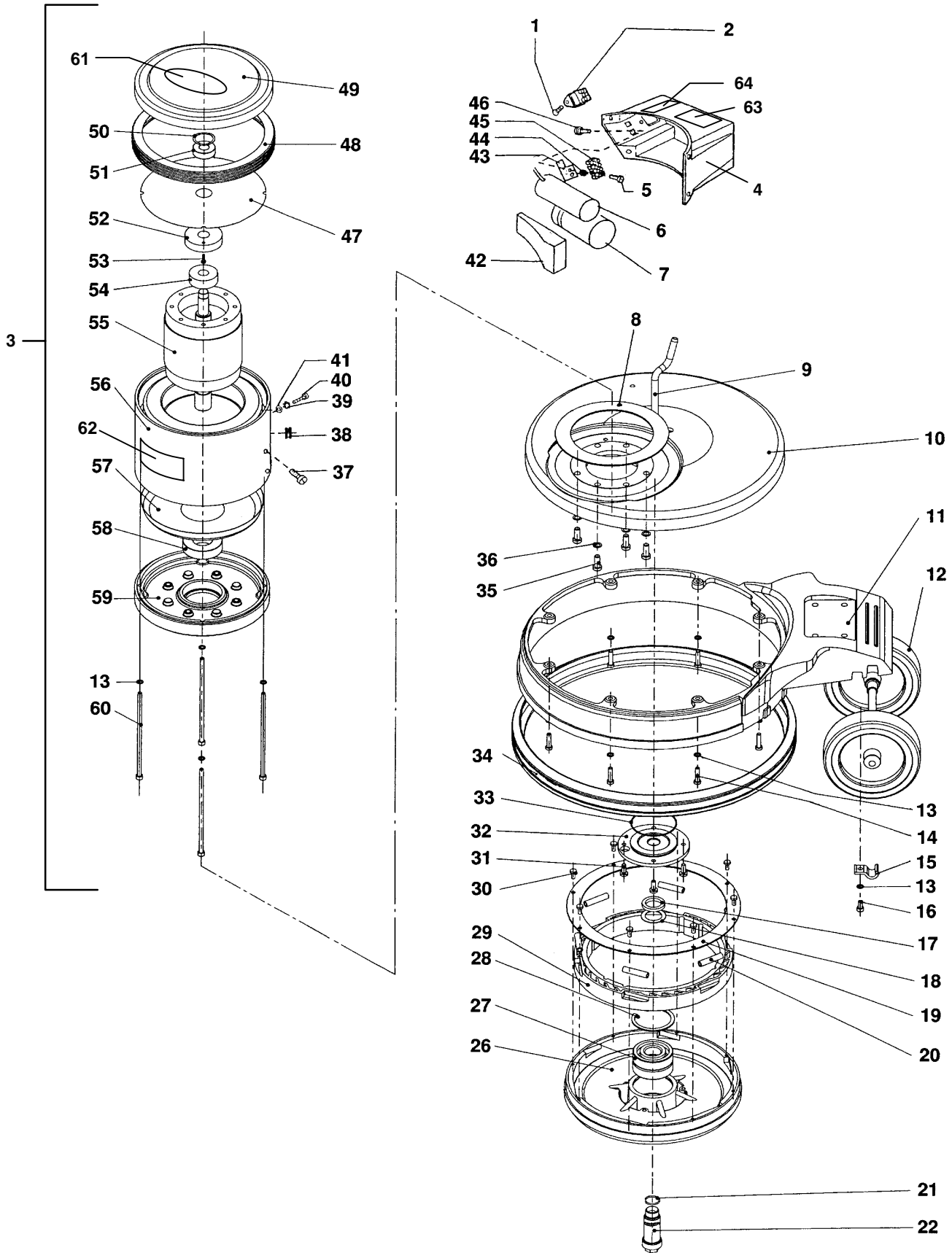
## 2120 BASE GROUP

REF	PART #	DESCRIPTION	QTY.
1	99927026	SCREW	2
2	99926012	●PLUG	1
3	801346	ASSEMBLY, MOTOR	1
4	801078	●HOUSING	1
5	99920552	SCREW	2
6	99917143	●CAPACITOR	1
7	99929292	●CAPACITOR	1
8	801058	SEAL JOINT	1
9	801045	TUBE	1
10	801180	HOUSING	1
11	801061	FRAME	1
12	801059	●WHEEL-SET	1
13	801138	CLIP	1
14	99915640	WASHER	16
15	99922895	SCREW	1
16	801066	FLANGE	1
17	801120	SCREW	4
18	801135	RING	1
19	99946554	SCREW	8
20	801033	COLLAR	1
21	99916086	RING	1
22	613032	●BEARING	1
23	99916088	●RING	1
25	613070	SHAFT	1
26	613072	RING	1
28	801338	HOLDER	1
29	99915114	SPRING	8
30	99922381	WASHER	1
31	801131	RING	1
32	801076	●PROTECTION DEV.	1
33	99915199	SCREW	8

REF	PART #	DESCRIPTION	QTY.
34	99931652	SCREW	4
35	99915678	WASHER	4
36	99916711	SCREW	4
37	99915030	SPOUT	1
38	99915166	WASHER	1
39	99921704	SCREW	1
40	99922274	WASHER	1
41	801047	INSERT	1
42	99927002	INSERT	1
43	99923370	BOX	2
44	99916568	BINDING POST	1
45	99918446	CAP	2
46	99926098	WASHER	1
47	99916030	●PROTECTION DEV.	1
48	801085	COVER	1
49	99916196	WASHER	1
50	99916192	BEARING	1
51	99915183	●SWITCH	1
52	801162	SCREW	2
53	99929926	●SWITCH	1
54	801043	ROTOR	1
55	800332	●STATOR	1
56	99915384	WASHER	1
57	801089	BEARING	1
58	801030	COVER	1
59	99926286	SCREW	4
60	800372	DECAL, TENNANT LOGO	1
61	800375	DECAL, 2120	1
62	602597	DECAL, WARNING	1
63	800488	DECAL, HAZARDOUS VOLTAGE	1

- Recommended Stock Item

### 2130 / 2140 / 2150 BASE GROUP



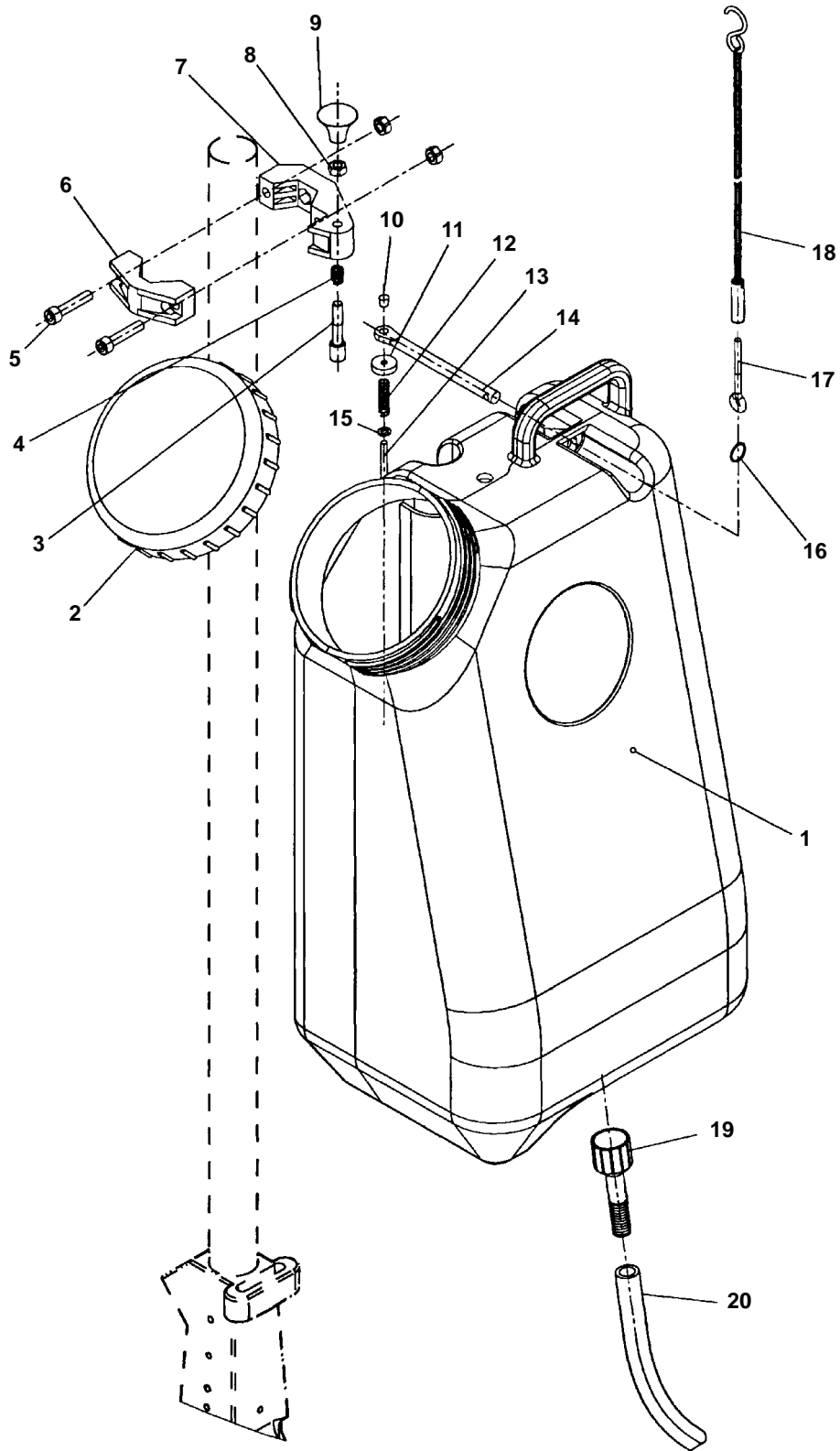
## 2130 / 2140 / 2150 BASE GROUP

REF	PART #	DESCRIPTION	QTY
1	99927026	SCREW	2
2	99926012	●PLUG	1
3	801336	ASSEMBLY, MOTOR	1
4	801078	HOUSING	1
5	99920552	SCREW	2
6	99917143	●CAPACITOR	1
7	99929292	●CAPACITOR	1
8	801058	SEAL	1
9	801144	TUBE	1
10	801180	HOUSING	1
11	801062	FRAME (2130, 2150)	1
	801042	FRAME (2140)	1
12	801059	●WHEEL-SET	1
13	99915640	WASHER	16
14	99915199	SCREW	8
15	801138	●CLIP	1
16	99922895	SCREW	1
17	801072	RING	1
18	99922381	WASHER	1
19	801135	RING	1
20	99916466	SPRING	6
21	613072	RING	1
22	613071	SHAFT	1
26	801339	HOLDER	1
27	801311	BEARING	2
28	99916470	RING	1
29	801032	●COLLAR	1
30	99946554	SCREW	8
31	801120	SCREW	4
32	801066	FLANGE	1
33	801131	RING	1
34	801145	●PROTECTION DEV. (2130, 2150)	1
	801076	●PROTECTION DEV. (2140)	1
35	99931652	SCREW	4
36	99915678	WASHER	4

REF	PART #	DESCRIPTION	QT1Y
37	99916711	SCREW	4
38	99915030	SPOUT	1
39	99915166	WASHER	1
40	99921704	SCREW	1
41	99922274	WASHER	1
42	801047	INSERT	1
43	99927002	INSERT	1
44	99923370	BOX	2
45	99916568	BINDING POST	1
46	99918446	CAP	2
47	99926098	WASHER	1
48	99916030	●PROTECTION DEV.	1
49	801085	COVER	1
50	99916196	WASHER	1
51	99916192	BEARING	1
52	99915183	●SWITCH	1
53	801162	SCREW	2
54	99929926	SWITCH	1
55	801335	ROTOR (2130)	1
	801097	ROTOR (2140, 2150)	1
56	800332	●STATOR (2130)	1
	800333	●STATOR (2140, 2150)	1
57	99915384	WASHER	1
58	801089	BEARING	1
59	801030	COVER	1
60	99926286	SCREW (2130)	4
	801088	SCREW (2140, 2150)	4
61	800372	DECAL, TENNANT LOGO	4
62	800379	DECAL, 2130	4
	800377	DECAL, 2140	4
	800381	DECAL, 2150	4
63	602597	DECAL, WARNING	1
64	800488	DECAL, HAZARDOUS VOLTAGE	1

● Recommended Stock Item

### SOLUTION TANK GROUP



**SOLUTION TANK GROUP**

REF	PART #	DESCRIPTION	QTY
▽	801167	KIT, SOLUTION TANK	1
▲▽ 1	800480	SOLUTION TANK W/ COVER	1
▲▲ 2	99927951	COVER	1
▲ 3	99924958	BOLT	1
▲ 4	99924954	SPRING, COMPRESSION	1
▲ 5	99921206	SCREW, SHCS	2
▲ 6	99924308	COUNTER CLIP	1
▲ 7	99927957	HOLDER, UPPER	1
▲ 8	99915638	NUT	3
▲ 9	99924964	KNOB	1
▲ 10	99927956	END CAP	1

REF	PART #	DESCRIPTION	QTY
▲ 11	99924464	NUT, KNURLED	1
▲ 12	99927945	SPRING, COMPRESSION	1
▲ 13	99924790	ROD	1
▲ 14	99924972	ROD	1
▲ 15	99920060	WASHER	1
▲ 16	800320	RING	1
▲ 17	99927962	HOOK	1
▲ 18	801239	ASSEMBLY, CHAIN	1
▲ 19	99941446	FITTING	1
▲ 20	801166	HOSE	1

▽ ASSEMBLY

▲ INCLUDED IN ASSEMBLY